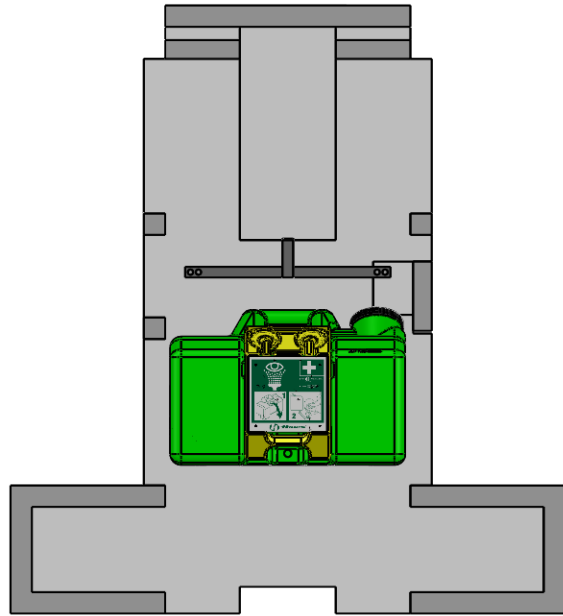


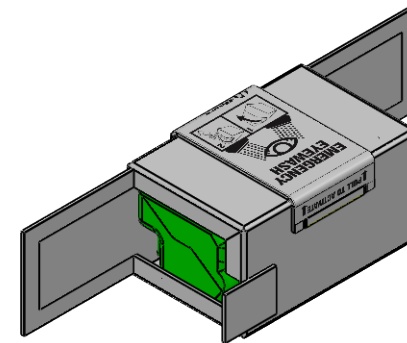
WARNING: EVEN WITH THE THERMAL JACKET IN PLACE, MANY FACTORS CAN ULTIMATELY AFFECT THE WATER TEMPERATURE WITHIN THE EYEWASH. AS SUCH, HAWS CANNOT GUARANTEE THAT THE THERMAL JACKET WILL PROVIDE A TEPID EYEWASH WATER TEMPERATURE. IT IS THE CUSTOMER'S RESPONSIBILITY TO ENSURE THAT THE WATER STORED WITHIN THE EYEWASH DOES NOT GET DANGEROUSLY HOT OR COLD. HAWS RECOMMENDS TEMPERATURE VERIFICATION OF THE EYEWASH WATER ACROSS THE RANGE OF EXPECTED ENVIRONMENTAL CONDITIONS, AND ADJUSTMENT OF THE EYEWASH INSTALLATION, IF NEEDED, TO FURTHER ENSURE AN ACCEPTABLE EYEWASH WATER TEMPERATURE.

- NOTES:**
1. AFTER INSTALLATION, CHECK EYEWASH FUNCTION TO ENSURE THAT THE UNIT IS STILL IN COMPLIANCE WITH THE REQUIREMENTS OF PERTINENT CODES AND STANDARDS (E.G., DIMENSIONS, ACTIVATION, FLOW CHARACTERISTICS, ETC.).




STEP 1
UNPACK THE JACKET AND LAY FLAT WITH INNER SURFACE (SILVER) UP.

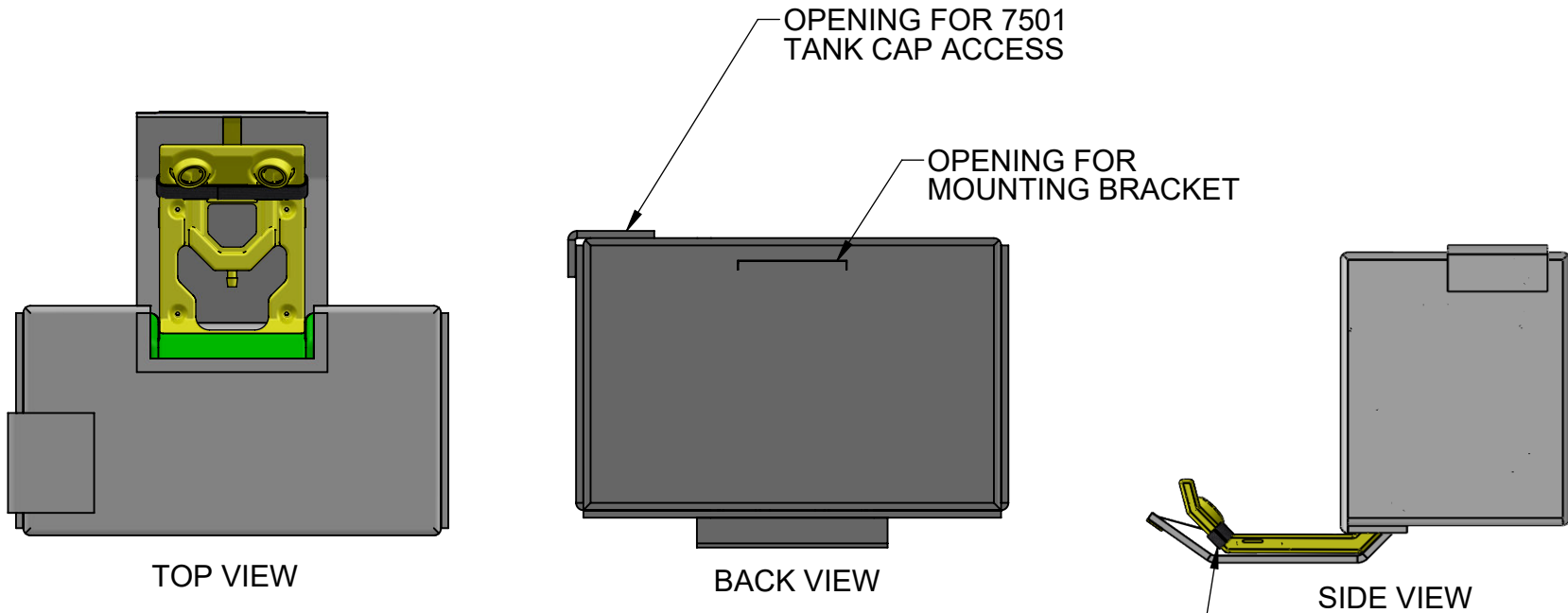
STEP 2
SET THE 7501 TANK BOTTOM DOWN ON THE JACKET IN THE ORIENTATION SHOWN.



STEP 3
WRAP THE JACKET UP AND OVER THE 7501 TANK AND ATTACH THE BOTTOM VELCRO CLOSURES.

STEP 4
SET THE 7501 TANK AND JACKET UPRIGHT. FOLD THE FLAPS OVER THE SIDES OF THE TANK USING THE VELCRO TO ATTACH THE EDGES TOGETHER.

			1455 KLEPPE LANE SPARKS, NEVADA 89431 (775) 359-4712 FAX (775) 359-7424 E-MAIL: HAWS@HAWSO.COM WEBSITE: WWW.HAWSO.COM		
			ECN: 6175 DRAWN: JG APPROVED: JL	REV. ECN: 6222 DATE: 01/06/25 DATE: 03/04/25	BY: JG CHKD: JU
SCALE: 1:18 DRAWING TYPE: INSTALLATION SIZE: A			SHEET 1 OF 2		



STEP 5

PULL DOWN/OPEN THE EYEWASH FLAP AND THE YELLOW EYEWASH ARM ATTACH THE WEBBING LOOP AROUND THE EYEWASH ARM BELOW THE EYEWASH HEADS.

STEP 6

MOUNT THE ASSEMBLED EYEWASH AND JACKET IN ACCORDANCE WITH 7501/7501T INSTALLATION INSTRUCTIONS.

		1455 KLEPPE LANE SPARKS, NEVADA 89431 (775) 359-4712 FAX (775) 359-7424 E-MAIL: HAWS@HAWSO.COM WEBSITE: WWW.HAWSO.COM			
		ECN: 6175 REV. ECN: 6222 BY: JG DRAWN: JG DATE: 01/06/25 APPROVED: JL DATE: 03/04/25	MODEL(S) 9126	PART NUMBER 0510002282 REVISION 2	
SCALE: 1:10		DRAWING TYPE: INSTALLATION		SIZE: A	SHEET 2 OF 2