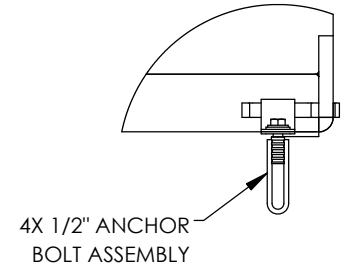
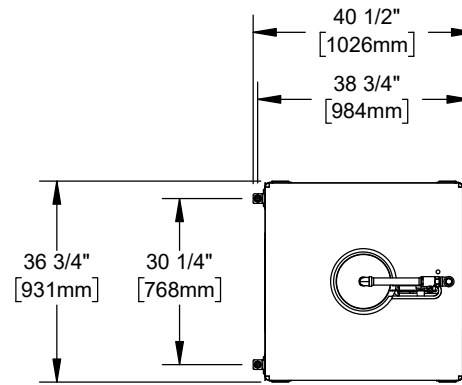


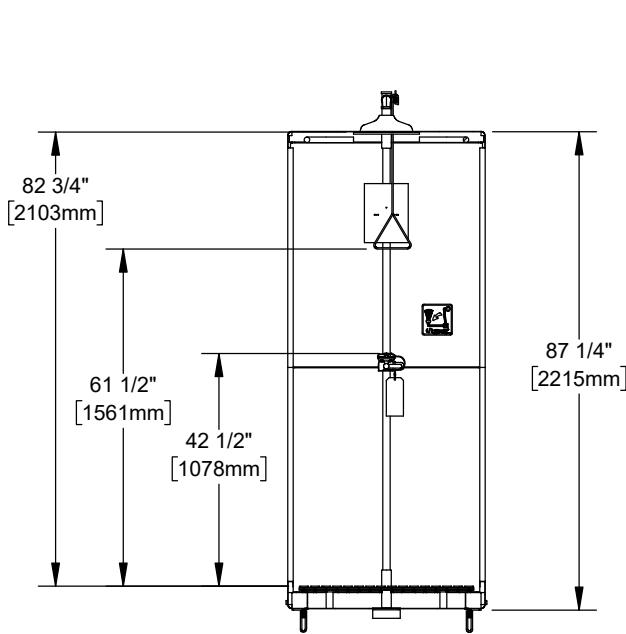
NOTES:

1. WHEN INSTALLING THIS UNIT, LOCAL, STATE, OR FEDERAL CODES SHOULD BE ADHERED TO FOR INSTALLATIONS (LOCATIONS), WASTE AND SUPPLY REQUIREMENTS OTHER THAN SHOWN.
2. KEEP BOTH ENTRY WAYS AND INSIDE OF BOOTH CLEAR OF OBSTRUCTIONS.
3. DIMENSION MAY VARY ±1/2".

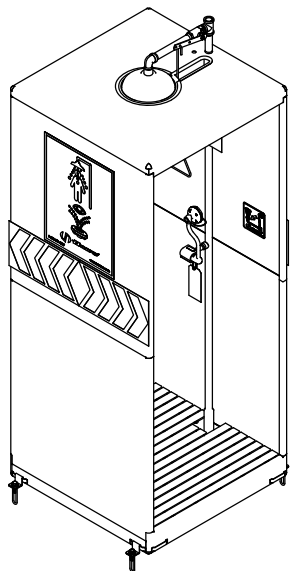
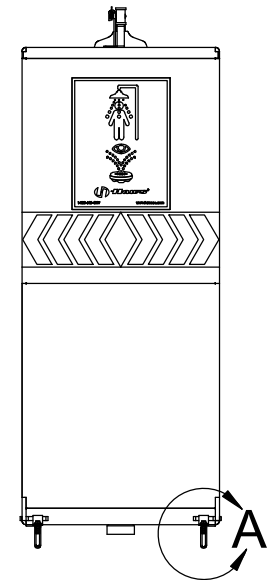
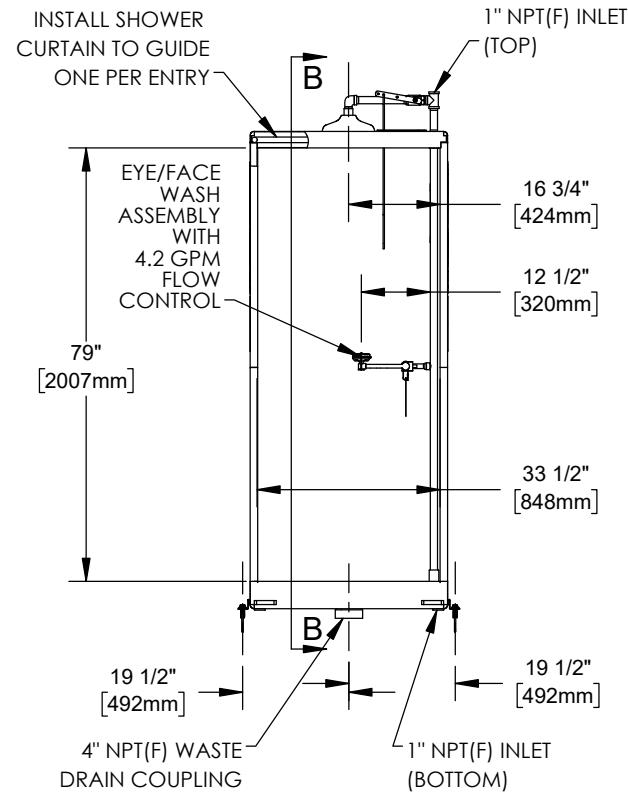
(NOTES CONTINUED ON SHEET 2)



DETAIL A



SECTION B-B

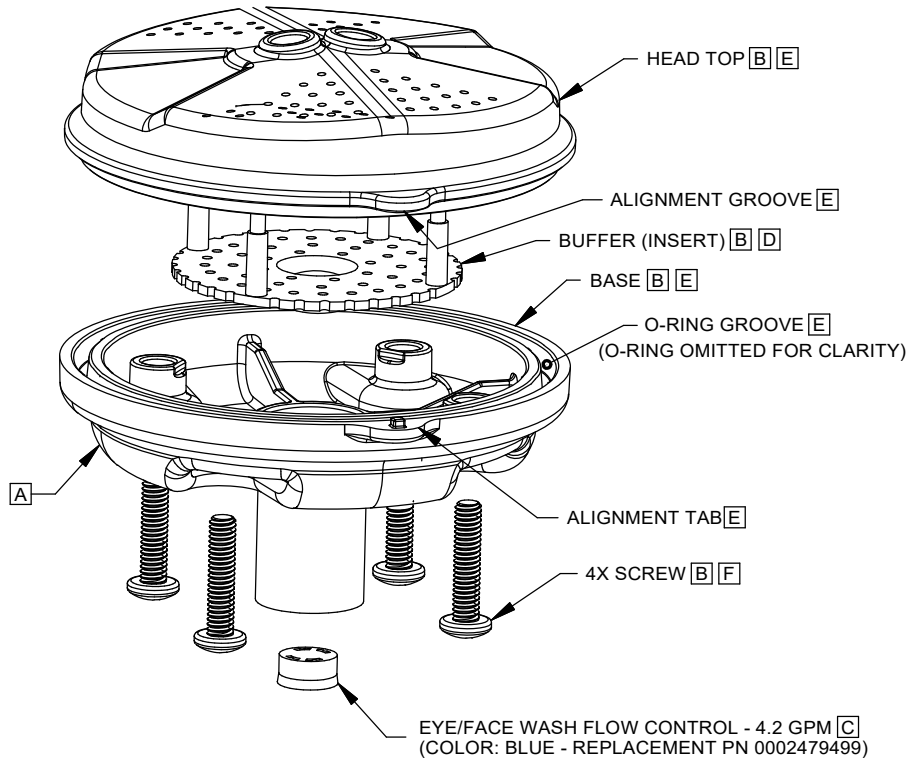


1455 KLEPPE LANE
SPARKS, NEVADA 89431
(775) 359-4712 FAX (775) 359-7424
E-MAIL: HAWS@HAWSO.COM
WEBSITE: WWW.HAWSO.COM



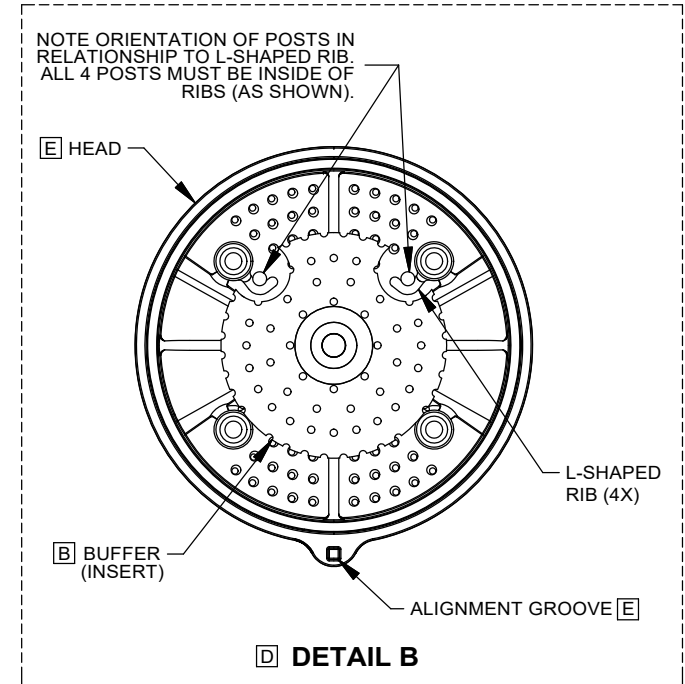
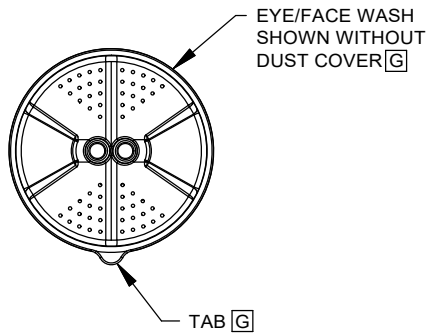
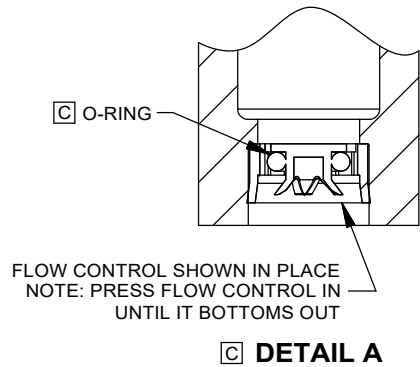
Haws[®]
Since 1906


ECN: 5940	REV. ECN: 6109	BY: FV	MODEL(S)	PART NUMBER
DRAWN: IR	DATE: 07/11/23	CHKD: KM	8606SS DUAL ENTRY SST BOOTH	0580002176.D
APPROVED: FV	DATE: 12/04/24	SCALE: 1:50	DRAWING TYPE: INSTALLATION	REVISION
				2
				SHEET 1 OF 2



4. FLOW CONTROL CLEANING STEPS:

- [A] UNSCREW EYE/FACE WASH ASSEMBLY FROM ADAPTER (NOT SHOWN FOR CLARITY).
- [B] REMOVE SCREWS (QTY. 4) FROM EYE/FACE WASH ASSEMBLY IN ORDER TO SEPARATE EYE/FACE WASH HEAD TOP FROM THE BASE AND REMOVE BUFFER (INSERT).
- [C] REMOVE EXISTING FLOW CONTROL FROM BASE BY PUSHING IT OUT FROM THE TOP AND CAREFULLY REMOVE ANY DEBRIS LODGED BETWEEN O-RING AND HOUSING OR OPENINGS. ALSO, CHECK FOR ANY SEDIMENT OR MINERAL DEPOSITS BLOCKING OPENINGS. EXERCISE CAUTION NOT TO DAMAGE OR LOSE O-RING IN THE PROCESS. ALL OPENINGS ON FLOW CONTROL MUST BE FREE AND CLEAR OF ANY OBSTRUCTIONS FOR FLOW CONTROL TO FUNCTION PROPERLY. REINSTALL FLOW CONTROL. SEE **DETAIL A** FOR ORIENTATION.
- [D] REINSERT BUFFER (INSERT) INTO EYE/FACE WASH HEAD NOTING ORIENTATION OF POST IN RELATIONSHIP TO L-SHAPED RIB AS SHOWN ON **DETAIL B**.
- [E] REASSEMBLE EYE/FACE WASH HEAD, MAKING SURE THAT ALIGNMENT GROOVE ON EYE/FACE WASH HEAD LINES UP WITH ALIGNMENT TAB ON BASE & O-RING IS SEATED IN O-RING GROOVE.
- [F] REINSTALL SCREWS (QTY. 4) INTO THE EYE/FACE WASH HEAD ASSEMBLY AND TIGHTEN SNUG ENSURE A WATER-TIGHT SEAL.
- [G] REASSEMBLE EYE/FACE WASH ASSEMBLY (TAB ORIENTED TOWARDS THE BOTTOM IN CLOSED POSITION) - DO NOT OVER-TIGHTEN. PLACE DUST COVER OVER EYE/FACE WASH HEAD.



		1455 KLEPPE LANE SPARKS, NEVADA 89431 (775) 359-4712 FAX (775) 359-7424 E-MAIL: HAWS@HAWSO.COM WEBSITE: WWW.HAWSO.COM	
		ECN: 5940 DRAWN: IR APPROVED: FV	REV. ECN: 6109 DATE: 07/11/23 DATE: 12/04/24
MODEL(S) 8606SS DUAL ENTRY SST BOOTH		SCALE: 1:18 DRAWING TYPE: INSTALLATION SIZE: A	SHEET 2 OF 2