

FEATURES & BENEFITS

CONSTRUCTION

Rugged ADA accessible 18 gauge Type 304 Stainless Steel swirl design bowls, 14 gauge Type 304 Stainless Steel brackets and bottle filler, and vandal-resistant bottom plates provides a long lasting unit with added peace of mind.

BOTTLE FILLER

Vandal-resistant, 14-gauge Type 304 stainless steel bottle filler housing with push button operation and 1 gpm (3.78 L) laminar flow.

VANDAL RESISTANT

The bubbler heads, push buttons, round bowls, drain strainers and bottom plates are locked in place, discouraging unwanted vandal tampering.

BUBBLER HEADS

Polished chrome-plated brass bubbler heads with integral laminar flow prevents splashing while providing a superior flow pattern. The integral 11/16" basin shank and stainless anti-rotational roll pin add vandal resistance strength. Shielded, angled stream opening provides a steady, sanitary source of drinking water at .45 gpm.

FOUNTAIN VALVES

The push-button activated valves have all stainless steel bodies, with chrome plated brass push button assemblies which allow for front access to water stream adjustment, water control cartridge, and water supply strainer replacement without having to go through the bottom plate. Operating pressure range of 30 to 90 psi (2.1 to 6.2 bar).

MOUNTING

Galvanized frame and 10 gauge surface plate provide the maximum mounting strength, and allows front access of P-trap and stop.



SPECIFICATIONS

Model 1011MSP Hi-Lo ADA vandal-resistant wall-mounted drinking fountain and bottle filler shall include dual 18-gauge Type 304 Stainless Steel satin finish basins with integral swirl design, 14 gauge Type 304 Stainless Steel wall brackets and bottle filler bracket, in-wall mounting frame with lower access panel allowing for front access of P-trap and stop, 100% lead-free waterways, vandal-resistant push-button operated stainless steel valves with front accessible cartridge and flow adjustment, polished chrome plated brass vandal resistant bubbler heads with integral laminar anti-squirt flow, 1gpm (3.78L) laminar flow bottle filler with in-wall 3/16" thick steel mounting plate, chrome-plated brass vandal-resistant waste strainers, high and low fountain mounting levels, stainless steel satin finish back panels, and 1-1/4" O.D. (3.2 cm) waste pipes.

OPTIONS

- Water Filter: Model 6480 filter kit with 3000 gallon carbon block filter, filter head, and mounting bracket.
- Bottle Filler Stand: Model BTL1001, add-on stainless steel stand to place bottle on when 1920 bottle filler is used.

For more information, visit www.hawsco.com or call (888) 640-4297.

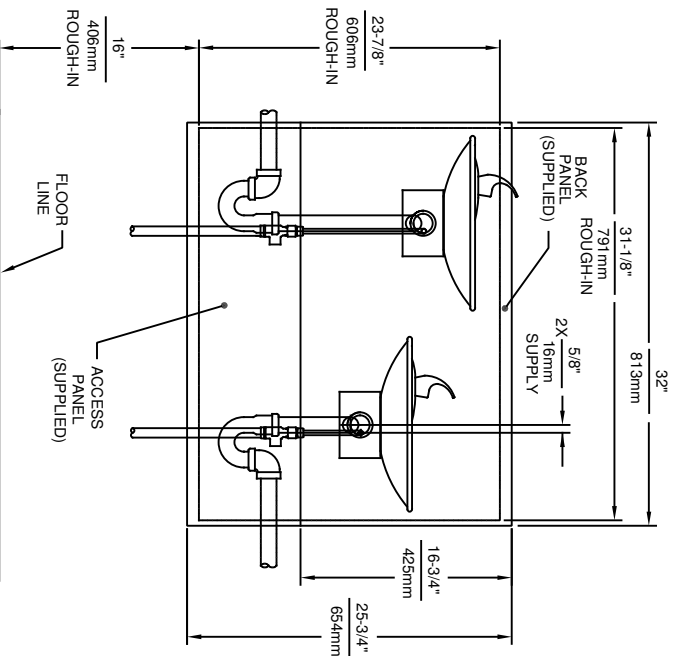
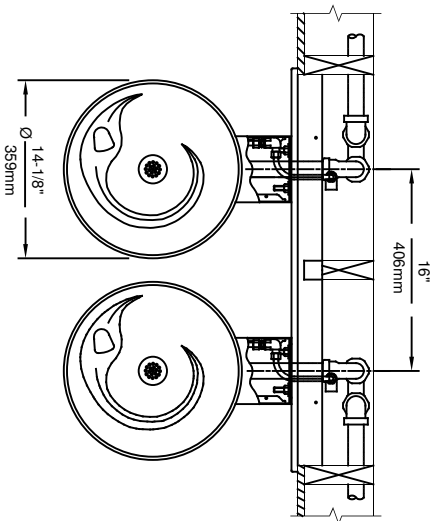
APPLICATIONS

Perfect for either public or private indoor/outdoor settings, Model 1011MSP is a great fit in areas where aesthetics are important to the overall appeal of the architecture. This series is precisely mounted, making it a nice addition to any surrounding. Beautiful satin finish helps to maintain the fountains overall appeal so it always remains looking as new as it did when it was installed. Specifically, this type of wall mounted drinking fountain may be placed in settings such as: schools and other locations in and around office buildings where the temperature remains above freezing. Model meets all current Federal Regulations for the disabled including those in the Americans with Disabilities Act. Haws manufactures drinking fountains, faucets and electric water coolers to be lead-free by all known definitions including NSF/ANSI/CAN 61-Section 9, NSF/ANSI/CAN 372, California Proposition 65, and the Federal Safe Drinking Water Act. Product is compliant to California Health and Safety Code 116875 (AB 1953-2006), and 116876 (AB 100) "NSF/ANSI/CAN 61: Q ≤ 1".

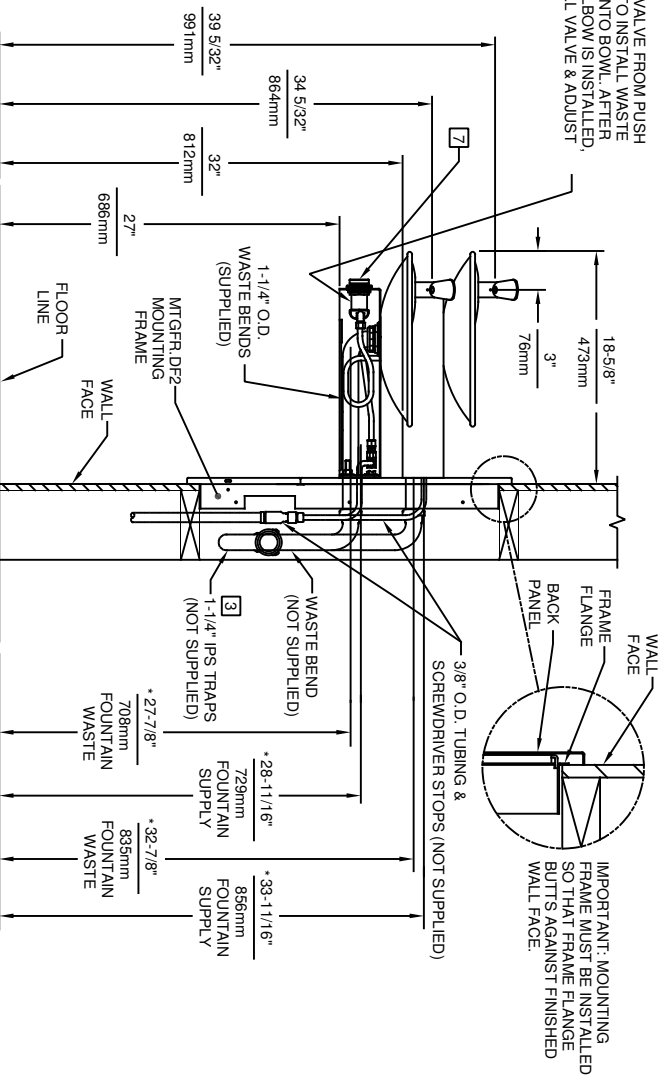


NOTES:

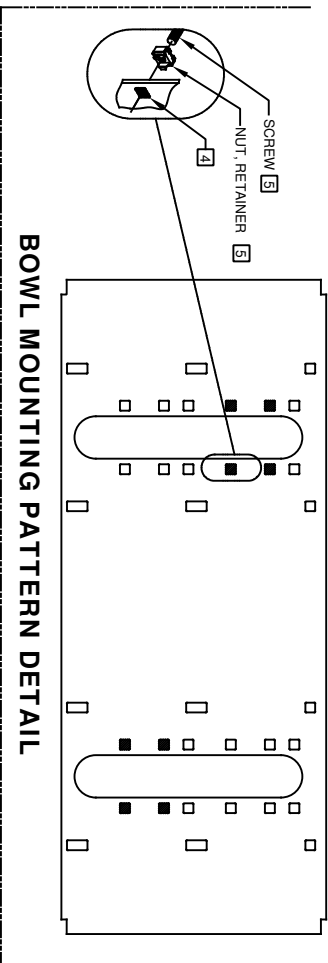
- 1 HOLD ROUGH-IN DIMENSIONS $\pm 1/8"$ (3.2mm).
- 2 WHEN INSTALLING THIS UNIT, LOCAL, STATE, OR FEDERAL CODES SHOULD BE ADHERED TO FOR DIMENSIONS (LOCATIONS), WASTE AND SUPPLY REQUIREMENTS OTHER THAN SHOWN.
- 3 INSTALLER MUST PROVIDE TRAP FOR PROPER INSTALLATION.
- 4 HOLE COMBINATION SHOWN BELOW IS FOR USE WITH LOW FOUNTAIN ON THE RIGHT AND HIGH FOUNTAIN ON THE LEFT. USE OPPOSITE HOLES FOR HIGH ON RIGHT AND LOW ON LEFT.



REMOVE VALVE FROM PUSH BUTT ON TO INSTALL WASTE ELBOW ON TO BOWL. AFTER WASTE ELBOW IS INSTALLED, REINSTALL VALVE & ADJUST FLOW.



- 5 TO CHANGE FOUNTAIN MFG. SCREW LOCATIONS: FIRST REMOVE SCREWS AND THEN SQUEEZE CLIPS ON NUT RETAINER TO POP OUT. SNAP INTO NEW POSITIONS FROM BACKSIDE AND RE-ASSEMBLE SCREWS.
- 6 IMPORTANT: A.L.H. LOW (OPTIONAL) CONFIGURATION WILL REQUIRE A DIFFERENT BACK PANEL AND THE WASTE AND SUPPLY DIMENSIONS SHOWN (?) MUST BE REVERSED.
- 7 REFER TO 5874 SERIES OPERATION AND MAINTENANCE MANUAL FOR PUSH BUTT ON AND VALVE INSTALLATION/MAINTENANCE INSTRUCTIONS.



BOWL MOUNTING PATTERN DETAIL

FACE WALL
 FRAME FLANGE
 BACK PANEL
 IMPORTANT: MOUNTING FRAME MUST BE INSTALLED SO THAT FRAME FLANGE BUTTS AGAINST FINISHED WALL FACE.

HAWS

1459 KLEPPE LANE
 SPARKS, NEVADA 89431
 (775) 359-4712 FAX (775) 359-7424
 E-MAIL: HAWS@HAWSCO.COM
 WEBSITE: WWW.HAWSCO.COM

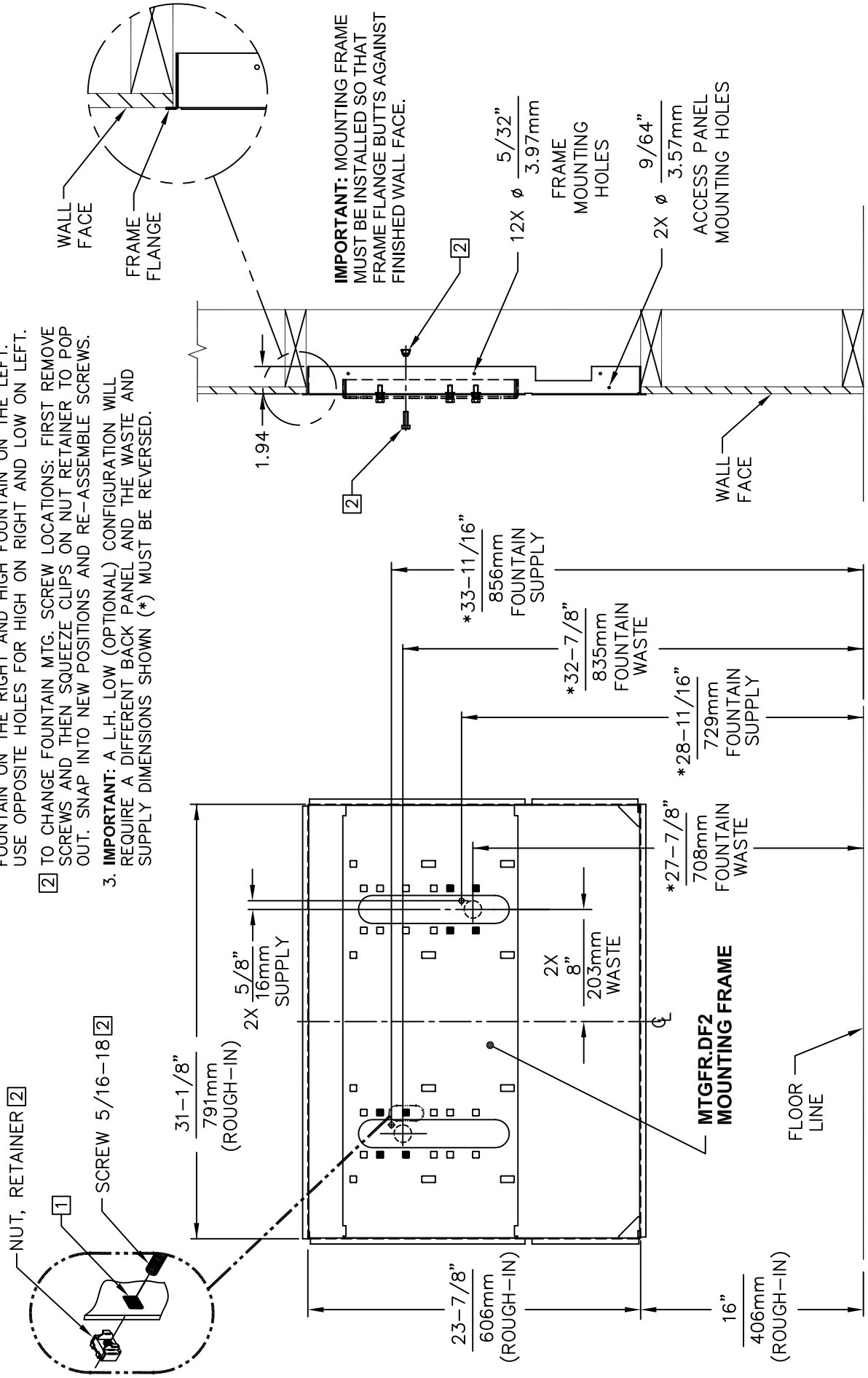
ECN NO. REVISED PERFBY: MODEL(S)
 ECN: 5124 VWC 1011HPSMS/1011MS
 DRAWN: DATE: CHK'D: 1011HPSMS/1011MS
 PM 08/02/99 VWC DRINKING FOUNTAIN
 APPROVED: DATE: SCALE: 1:16 DRAWING TYPE: INSTALLATION SHEET 1 OF 1
 EV 07/06/17

PART NUMBER 0002076519.D
 REVISION 11

THIS DOCUMENT IS TRUE AND CORRECT AT TIME OF PUBLICATION. CONTINUED PRODUCT IMPROVEMENTS MAKE SPECIFICATIONS AND MEASUREMENTS SUBJECT TO CHANGE WITHOUT NOTICE.

NOTES:


- 1 HOLE COMBINATION SHOWN BELOW IS FOR USE WITH LOW FOUNTAIN ON THE RIGHT AND HIGH FOUNTAIN ON THE LEFT. USE OPPOSITE HOLES FOR HIGH ON RIGHT AND LOW ON LEFT.
- 2 TO CHANGE FOUNTAIN MTG. SCREW LOCATIONS: FIRST REMOVE SCREWS AND THEN SQUEEZE CLIPS ON NUT RETAINER TO POP OUT. SNAP INTO NEW POSITIONS AND RE-ASSEMBLE SCREWS.
3. **IMPORTANT:** A L.H. LOW (OPTIONAL) CONFIGURATION WILL REQUIRE A DIFFERENT BACK PANEL AND THE WASTE AND SUPPLY DIMENSIONS SHOWN (*) MUST BE REVERSED.



IMPORTANT: MOUNTING FRAME MUST BE INSTALLED SO THAT FRAME FLANGE BUTTS AGAINST FINISHED WALL FACE.

4. HOLD ROUGH-IN DIMENSIONS ± 1/8" (3.2mm).
5. WHEN INSTALLING THIS UNIT, LOCAL, STATE OR FEDERAL CODES SHOULD BE ADHERED TO. FOR INSTALLATION HEIGHTS OTHER THAN SHOWN, DIMENSIONS MARKED (*) MUST BE ADJUSTED ACCORDINGLY.

**FOR USE WITH MODELS:
1011MS & 1011HPSMS**




INFO FAX : 1-888-FAX-HAWS (1-888-329-4297)
 1455 Kleppe Ln, Sparks NV, 89431
 Phone: 775-359-4712 Fax: 775-359-7424
 Haws Ag, Bachweg 3 CH-3401 Burdorf Switzerland
 Haws Mfg Pte Ltd, 74 Sungai Kadut Loop Singapore 729531
 e-mail: haws@hawscc.com Website: www.hawscc.com

EST. NO.	REVISED PER	DATE	BY	DATE	APPROVED
00027080297	ECN:4173	08/97			

MODEL(S): MOUNTING FRAME
 MTGFR.DF2
 INFO. FAX. DOC. # 26843732
 SCALE: 1:10
 DRAWING TYPE: INSTALLATION/FABRACK
 DRAWING NUMBER: 13161C00
 SIZE: A 1 OF 1

1920 INDEX

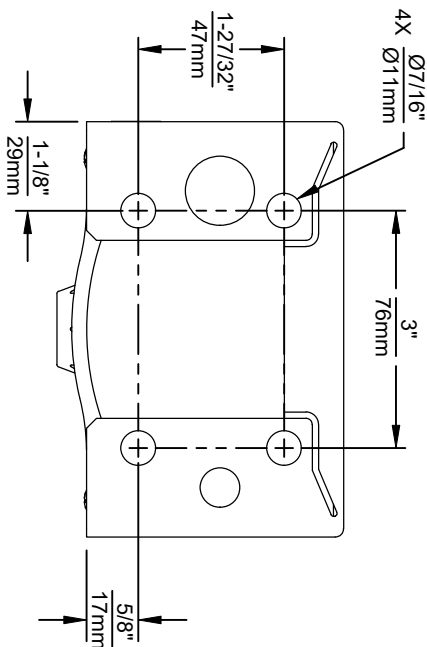
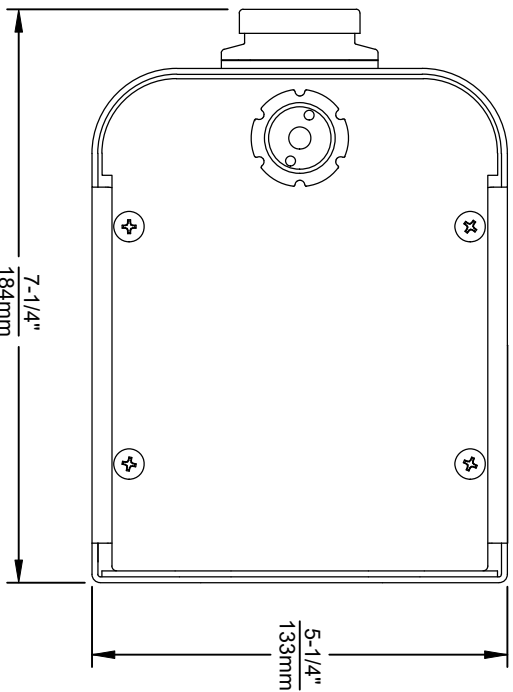
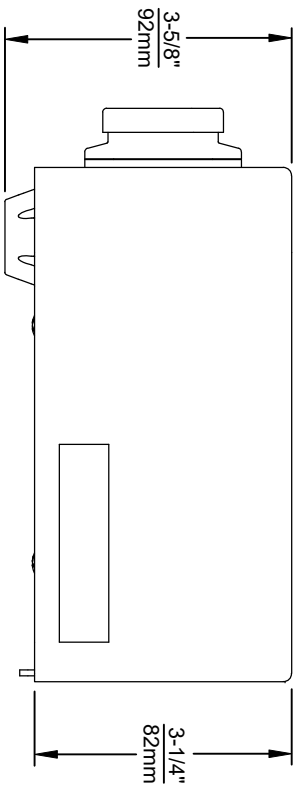
INSTALLATION WITH:	TYPICAL USES	SEE SHEET ...
1001/1011 BOWLS	HAWS SERIES 1001, H1001.8X, 1011, 1011.8X STYLE FOUNTAINS	3 DF 9
1109/1119 BOWLS		4 DF 9
1107/1117 BOWLS		5 DF 9
1311/1501 BOWLS		6 DF 9
1047		7 DF 9
6468		8 DF 9
CHILD HEIGHT	HAWS 1107P STD CONFIG CHILD HEIGHT, 1109P STD CONFIG CHILD HEIGHT, 1311P STD CONFIG CHILD HEIGHT	9 DF 9



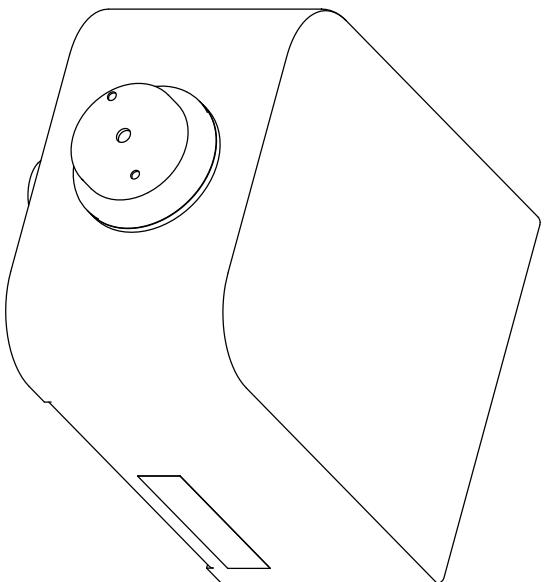
Haws
Since 1906

1455 KLEPPE LANE
SPARKS, NEVADA 89431
(775) 359-4712 FAX (775) 359-7424
E-MAIL: HAWS@HAWSCO.COM
WEBSITE: WWW.HAWSCO.COM

EQUIP. NO. REVISED PER BY:	MODEL(S)	PART NUMBER	REVISION
380V DRAWN BY: [Signature]	EQN. 0131 DATE: 11/28/24	1920/1920HPS/1920W	0510000490.D
APPROVED: [Signature]	SCALE: N/A	DRAWING TYPE: INSTALLATION	SIZE: A
			SHEET 1 OF 9



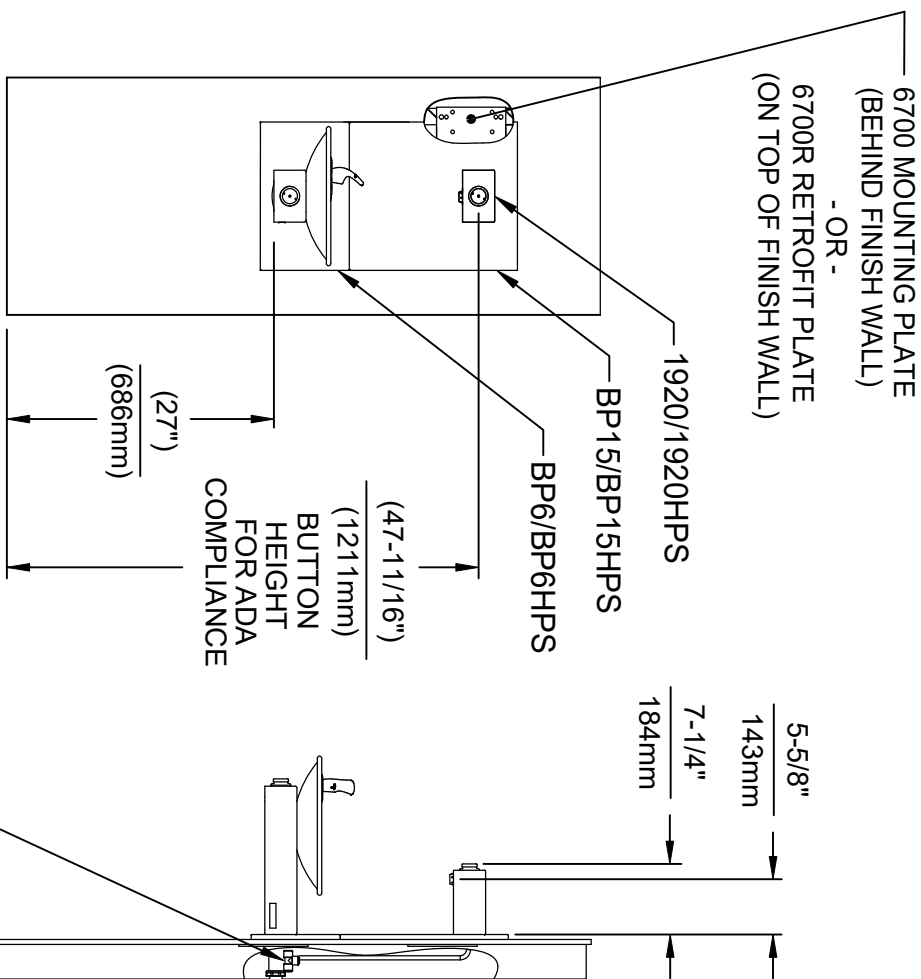
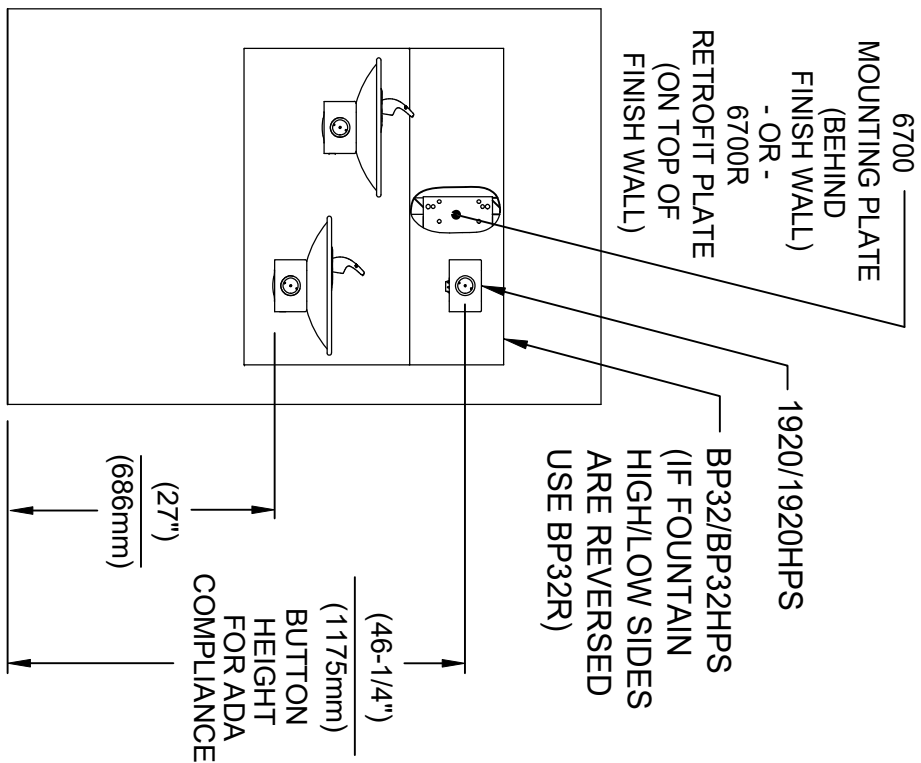
1920 SERIES MOUNTING HOLE LOCATIONS
(3/8\"-16 UNC MOUNTING HARDWARE NOT SUPPLIED)



NOTES:

1. SEE SHEETS 2 THRU 7 FOR BOTTLE FILLER ADULT ADA HEIGHT APPLICATIONS AND SHEET 8 FOR CHILD ADA HEIGHT APPLICATIONS.
2. WHEN INSTALLING THIS UNIT, LOCAL, STATE OR FEDERAL CODES SHOULD BE ADHERED TO FOR INSTALLATION LOCATIONS, WASTE & SUPPLY REQUIREMENTS OTHER THAN SHOWN.

		1455 KLEPPE LANE SPARKS, NEVADA 89431 (775) 359-4712 FAX (775) 359-7424 E-MAIL: HAWS@HAWSCO.COM WEBSITE: WWW.HAWSCO.COM	
EQN NO. REVISED PER BY: 0510000490.D	MODEL(S) 1920/1920HPS/1920W	PART NUMBER 0510000490.D	SHEET 2 OF 9
DRAWN BY: JG DATE: 11/29/24	CHECKED BY: JG DATE:	SCALE: N/A	DRAWING TYPE: INSTALLATION
APPROVED BY: RH	DATE: 11/29/24	SIZE: A	SHEET 2 OF 9



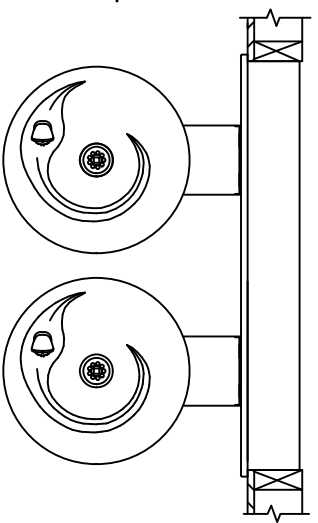
INSTALLATION ABOVE HAWS 1011 & H1011.8 SERIES

INSTALLATION ABOVE HAWS 1001 & H1001.8 SERIES

* IF YOUR FOUNTAIN IS THIS STYLE USE THESE DIMENSIONS

1. SEE SEPARATE INSTALLATION DRAWINGS FOR MOUNTING PLATES AND BACK PANELS (SHOWN FOR REFERENCE - NOT SUPPLIED).

2. WHEN INSTALLING THIS UNIT, LOCAL, STATE OR FEDERAL CODES SHOULD BE ADHERED TO FOR INSTALLATION LOCATIONS, WASTE & SUPPLY REQUIREMENTS OTHER THAN SHOWN.

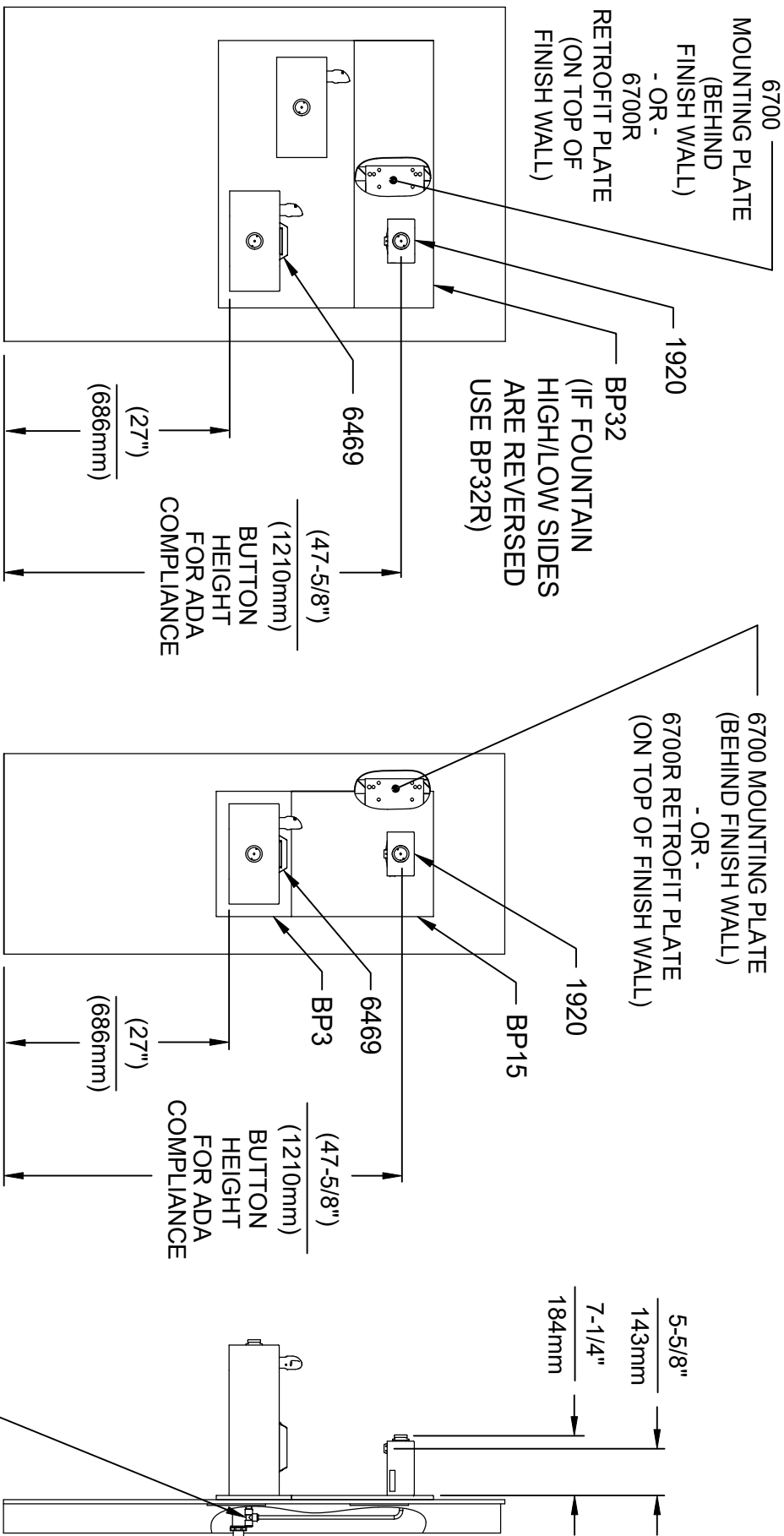


3/8" O.D. SUPPLY TUBING AND 3/8" O.D. PUSH-IN TEE SUPPLIED. (CONNECT TO FOUNTAIN SUPPLY LINE)



1455 KLEPPE LANE
SPARKS, NEVADA 89431
(775) 359-4712 FAX (775) 359-7424
E-MAIL: HAWS@HAWS.CO.COM
WEBSITE: WWW.HAWS.CO.COM

ECN NO.	REVISED PER BY:	MODEL(S)	PART NUMBER
5041	EQV.G131 J.G.	1920/1920HPS/1920W	0510000490.D
DATE	DATE	SCALE	SIZE
11/26/24	11/26/24	SCALE: NA	SIZE: A
APPROVED:	DATE	DRAWING TYPE	SHEET
RH	11/26/24	INSTALLATION	3 OF 9
REVISION	13		



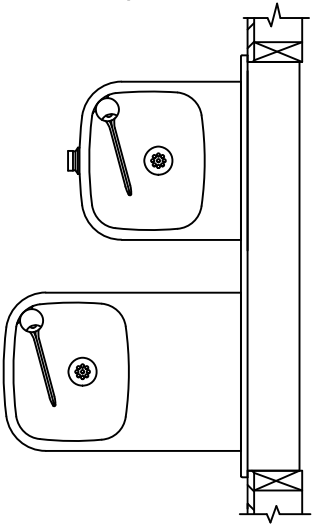
INSTALLATION ABOVE HAWS 1119 & H1119.8 SERIES

**INSTALLATION ABOVE HAWS 1109 & H1109.8 SERIES
SEE SHEET 8 FOR INSTALLATION AT CHILD HEIGHT**


* IF YOUR FOUNTAIN IS THIS STYLE USE THESE DIMENSIONS

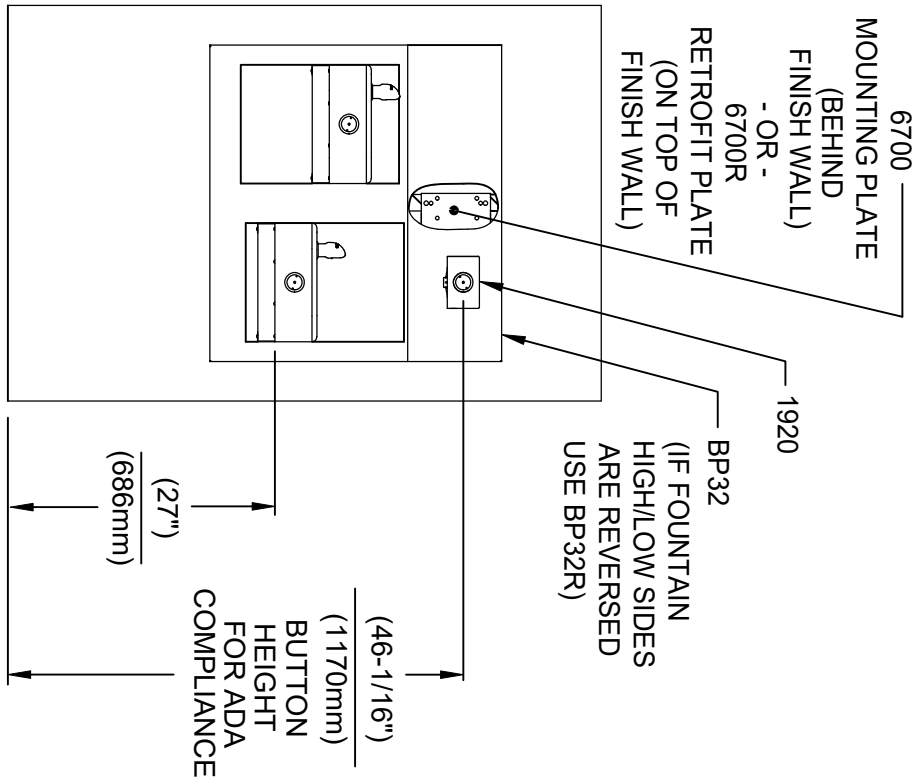
1. SEE SEPARATE INSTALLATION DRAWINGS FOR MOUNTING PLATES AND BACK PANELS (SHOWN FOR REFERENCE - NOT SUPPLIED).

2. WHEN INSTALLING THIS UNIT, LOCAL, STATE OR FEDERAL CODES SHOULD BE ADHERED TO FOR INSTALLATION LOCATIONS, WASTE & SUPPLY REQUIREMENTS OTHER THAN SHOWN.



3/8" O.D. SUPPLY TUBING AND 3/8" O.D. PUSH-IN TEE SUPPLIED. (CONNECT TO FOUNTAIN SUPPLY LINE)

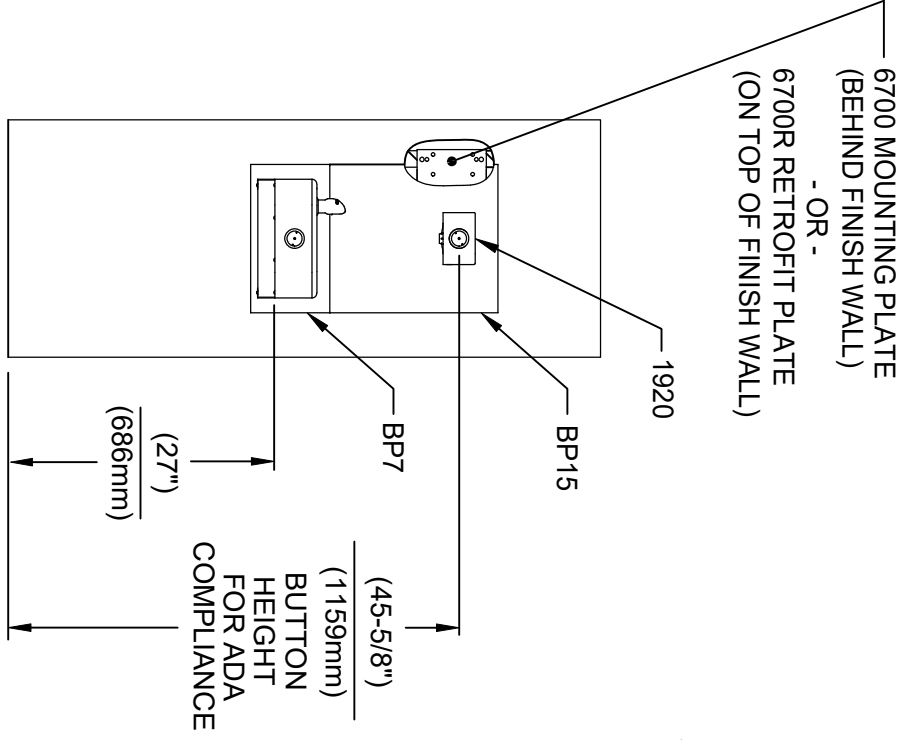
 <p>Haws Since 1906</p>		MODEL(S) 1920/1920HPS/1920W
ECU NO. REVISED PER BY 5031 DRAWN DATE: 11/29/24 APPROVED: RH	CHG: JG DATE: 11/29/24	SCALE: N/A DRAWING TYPE: INSTALLATION SIZE: A SHEET: 4 OF 9
1455 KLEPPE LANE SPARKS, NEVADA 89431 (775) 359-4712 FAX (775) 359-7424 E-MAIL: HAWS@HAWSCO.COM WEBSITE: WWW.HAWSCO.COM		PART NUMBER 0510000490.D REVISION 13



INSTALLATION ABOVE HAWS 1117L & H117.8 SERIES

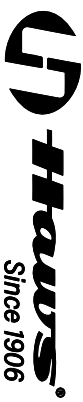
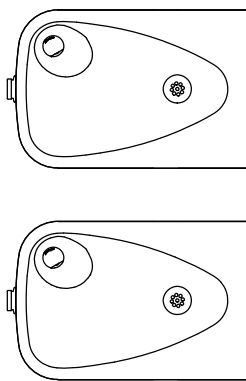
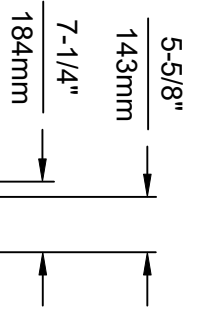
* IF YOUR FOUNTAIN IS THIS STYLE USE THESE DIMENSIONS

1. SEE SEPARATE INSTALLATION DRAWINGS FOR MOUNTING PLATES AND BACK PANELS (SHOWN FOR REFERENCE - NOT SUPPLIED).
2. WHEN INSTALLING THIS UNIT, LOCAL, STATE OR FEDERAL CODES SHOULD BE ADHERED TO FOR INSTALLATION LOCATIONS, WASTE & SUPPLY REQUIREMENTS OTHER THAN SHOWN.

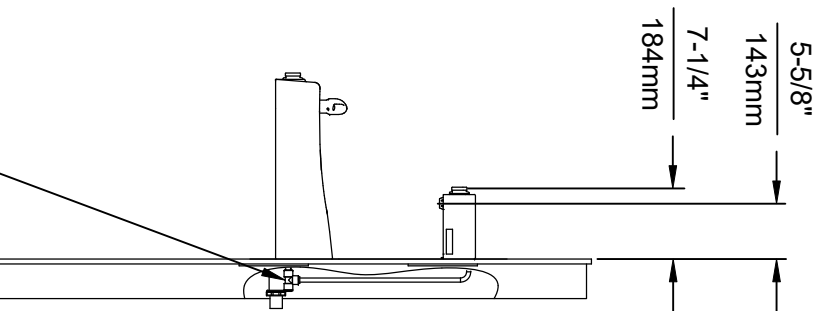
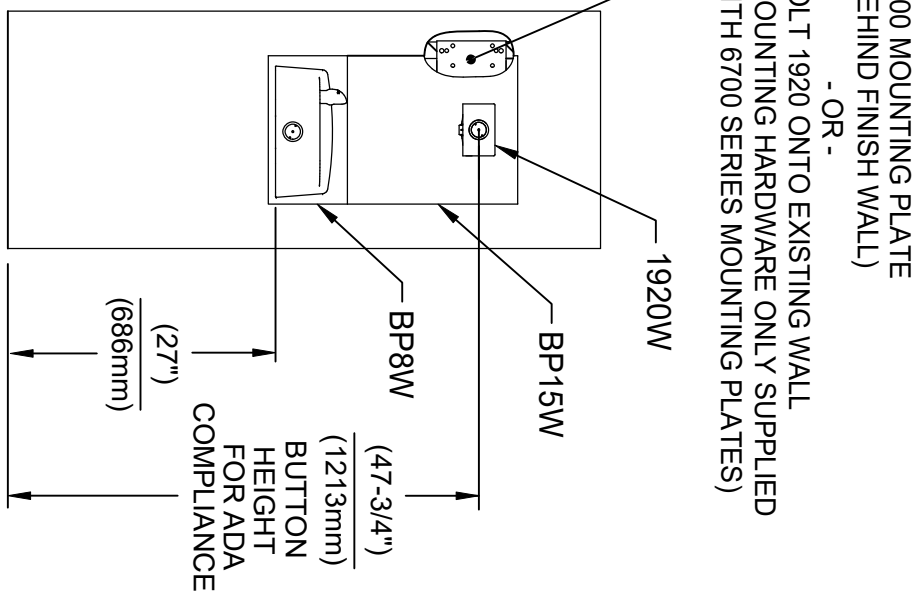
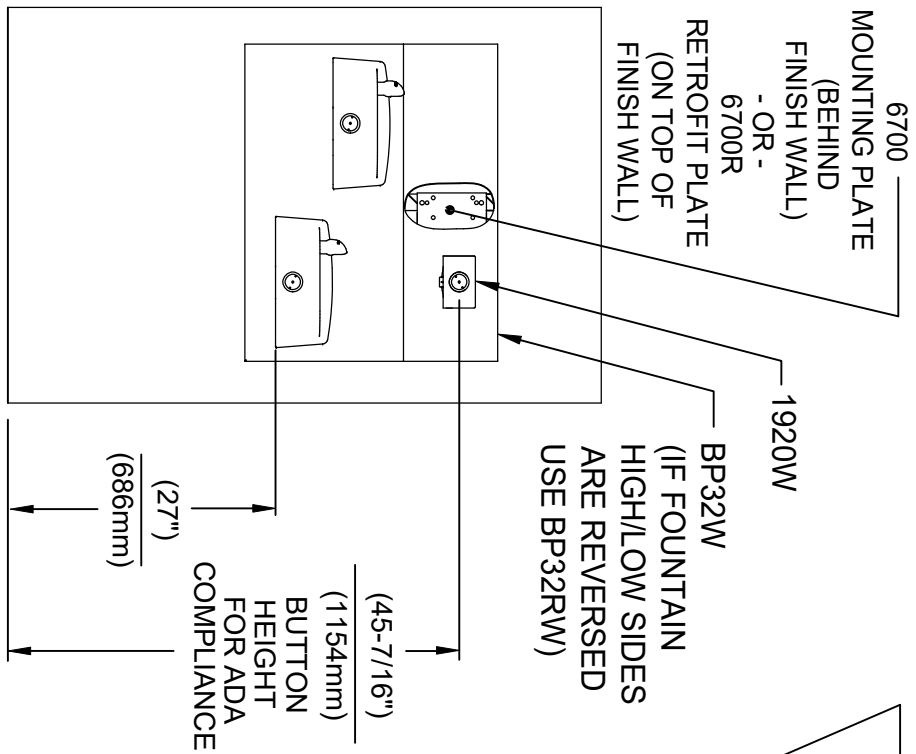


**INSTALLATION ABOVE HAWS 1107L & H1107.8 SERIES
SEE SHEET 8 FOR INSTALLATION AT CHILD HEIGHT**

3/8" O.D. SUPPLY TUBING AND 3/8" O.D. PUSH-IN TEE SUPPLIED. (CONNECT TO FOUNTAIN SUPPLY LINE)



EDN NO. REVISED PER BY:	MODEL(S)	1455 KLEPPE LANE
SOFT	1920/1920HPS/1920W	SPARKS, NEVADA 89431
DRAWN		(775) 359-4712 FAX (775) 359-7424
DATE		E-MAIL: HAWS@HAWS.CO.COM
DATE		WEBSITE: WWW.HAWS.CO.COM
APPROVED:		
RH		
SCALE:		
SCALE:		
DRAWING TYPE:		
INSTALLATION:		
SIZE:		
SHEET:		
SHEET 5 OF 9		
PART NUMBER		
0510000490.D		
REVISION		
13		

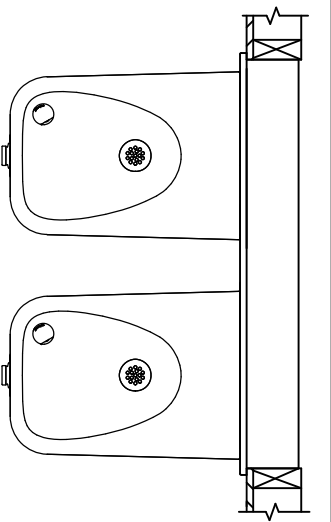


INSTALLATION ABOVE HAWS 1501

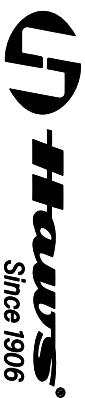
**INSTALLATION ABOVE HAWS 1311
SEE SHEET 8 FOR INSTALLATION AT CHILD HEIGHT**

* IF YOUR FOUNTAIN IS THIS STYLE USE THESE DIMENSIONS

1. SEE SEPARATE INSTALLATION DRAWINGS FOR MOUNTING PLATES AND BACK PANELS (SHOWN FOR REFERENCE - NOT SUPPLIED).
2. WHEN INSTALLING THIS UNIT, LOCAL, STATE OR FEDERAL CODES SHOULD BE ADHERED TO FOR INSTALLATION LOCATIONS, WASTE & SUPPLY REQUIREMENTS OTHER THAN SHOWN.



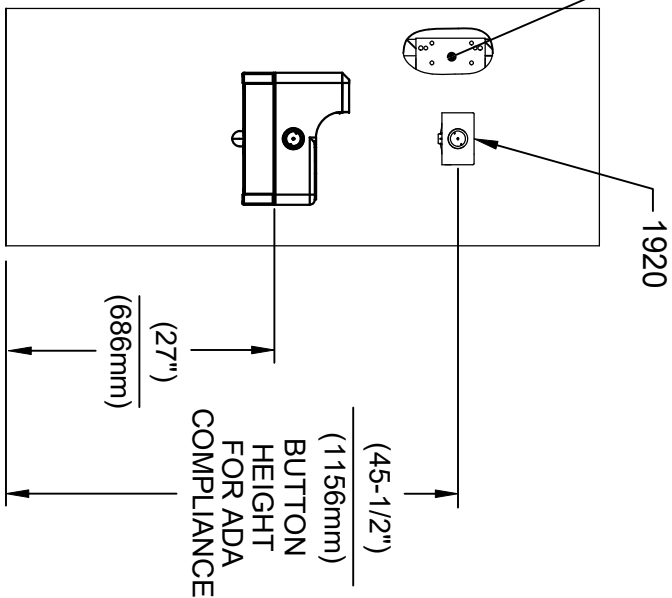
3/8" O.D. SUPPLY TUBING AND 3/8" O.D. PUSH-IN TEE SUPPLIED. (CONNECT TO FOUNTAIN SUPPLY LINE)



1455 KLEPPE LANE
SPARKS, NEVADA 89431
(775) 359-4712 FAX (775) 359-7424
E-MAIL: HAWS@HAWS.CO.COM
WEBSITE: WWW.HAWS.CO.COM

EQ. NO.	REVISED PER BY:	MODEL(S)	PART NUMBER
5031	EQ. 6131		0510000490.D
DRAWN	DATE	CHG.	REVISION
10/25/17	11/29/24	JG	13
APPROVED:	SCALE:	DRAWING TYPE:	SHEET 6 OF 9
RH	NA	INSTALLATION	

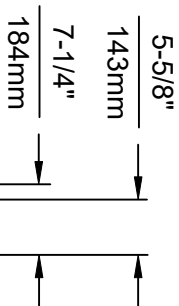
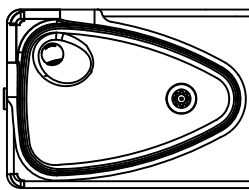
6700 MOUNTING PLATE
(BEHIND FINISH WALL)
- OR -
BOLT 1920 ONTO EXISTING WALL
(MOUNTING HARDWARE ONLY SUPPLIED
WITH 6700 SERIES MOUNTING PLATES)




INSTALLATION ABOVE HAWS 1047

* IF YOUR FOUNTAIN IS THIS STYLE USE THESE DIMENSIONS

1. SEE SEPARATE INSTALLATION DRAWINGS FOR MOUNTING PLATES AND BACK PANELS (SHOWN FOR REFERENCE - NOT SUPPLIED).
2. WHEN INSTALLING THIS UNIT, LOCAL, STATE OR FEDERAL CODES SHOULD BE ADHERED TO FOR INSTALLATION LOCATIONS, WASTE & SUPPLY REQUIREMENTS OTHER THAN SHOWN.

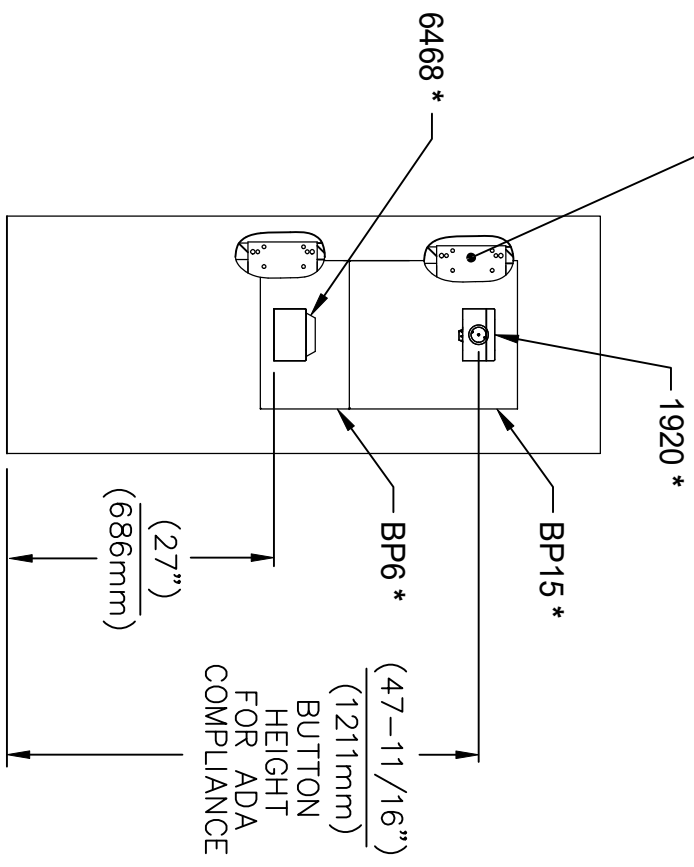


3/8" O.D. SUPPLY TUBING AND 3/8" O.D. PUSH-IN TEE SUPPLIED. (CONNECT TO FOUNTAIN SUPPLY LINE)

		Since 1906	
1455 KLEPPE LANE SPARKS, NEVADA 89431 (775) 359-4712 FAX (775) 359-7424 E-MAIL: HAWS@HAWS.CO.COM WEBSITE: WWW.HAWS.CO.COM		MODEL(S) 1920/1920HPS/1920W	
EQUIP. NO. 3220	REVISED PER BY J.G.	DATE 11/28/24	SCALE N/A
DRAWN BY RH	DATE 10/14/24	CHKD BY J.G.	DRAWING TYPE INSTALLATION
APPROVED	DATE	SCALE	SIZE
			SHEET 7 OF 9
			REVISION 13
			PART NUMBER 0510000490.D

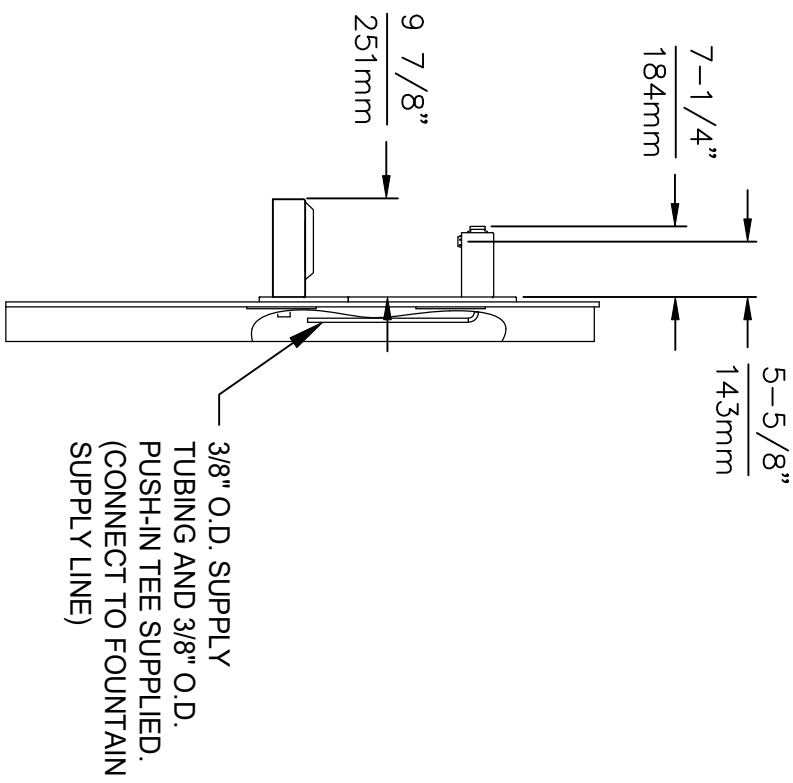
6700 MOUNTING PLATE
(BEHIND FINISH WALL)
-OR-
6700R RETROFIT PLATE
(ON TOP OF FINISH WALL)

* MODELS 1920 (BOTTLE FILLER),
BP15, BP6 (BACK PANELS) AND
6468 (WASTE DRIP TRAY) ARE
ALL AVAILABLE TOGETHER AS
MODEL 1922.

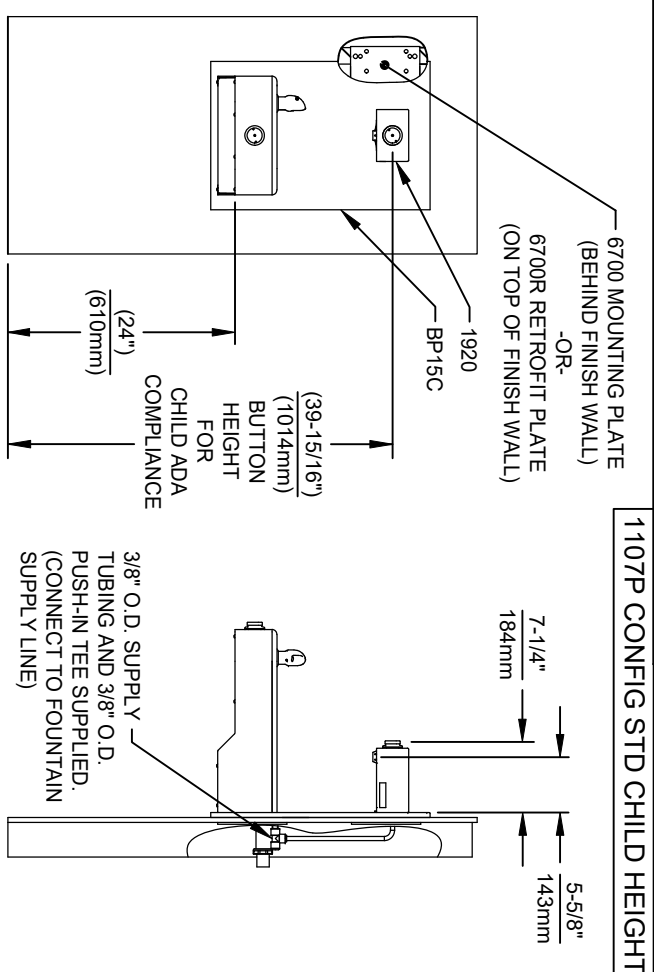


INSTALLATION ABOVE 6468

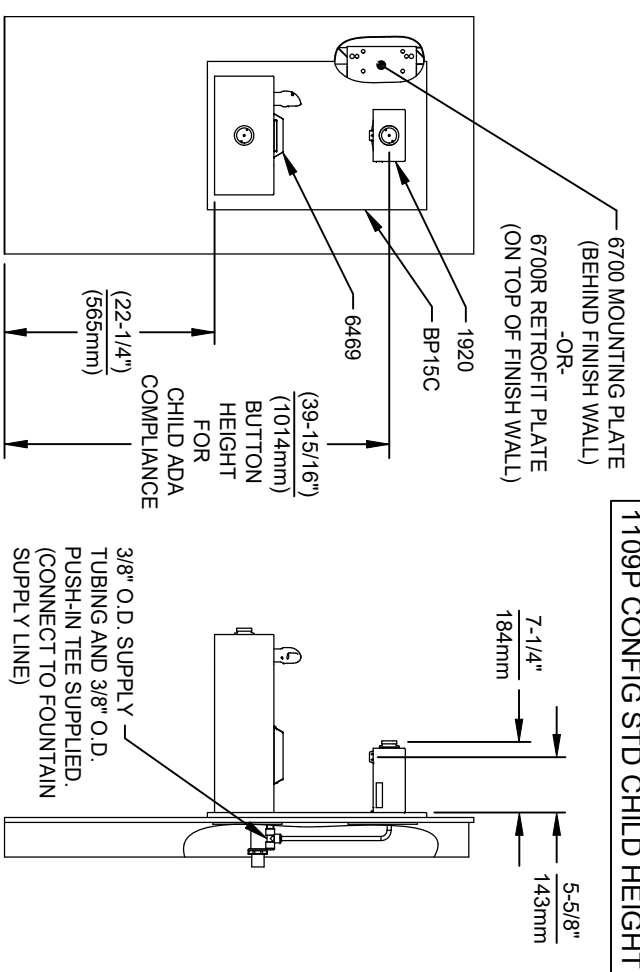
1. SEE SEPARATE INSTALLATION DRAWINGS FOR MOUNTING PLATE, WASTE DRIP TRAY AND BACK PANELS (SHOWN FOR REFERENCE - NOT SUPPLIED).
2. WHEN INSTALLING THIS UNIT, LOCAL, STATE OR FEDERAL CODES SHOULD BE ADHERED TO FOR INSTALLATION LOCATIONS, WASTE & SUPPLY REQUIREMENTS OTHER THAN SHOWN.



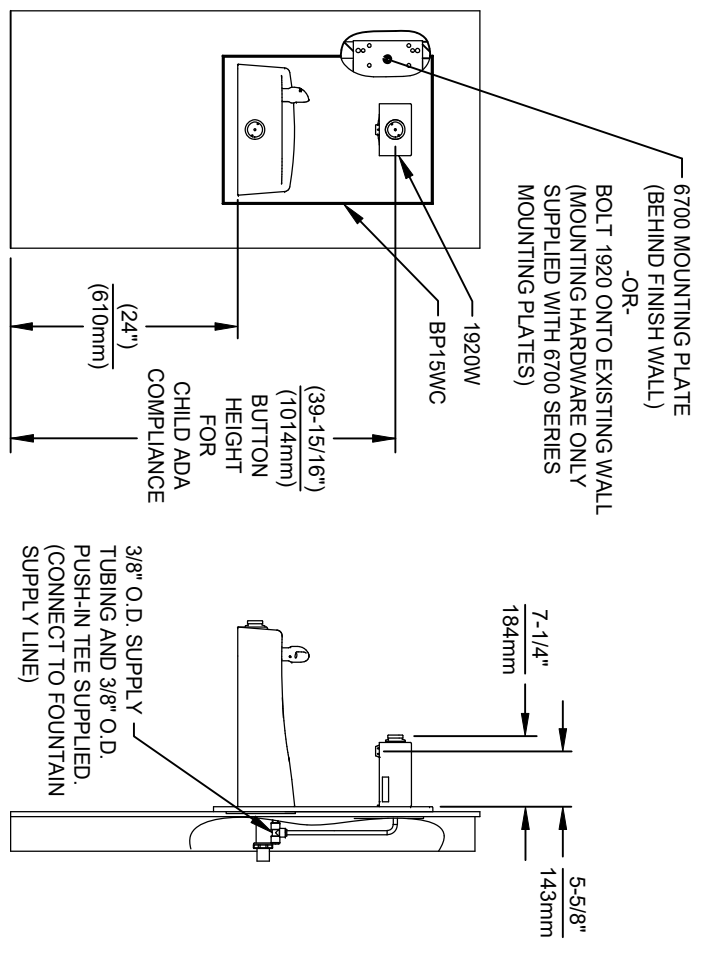
		Since 1906	
1455 KLEPPE LANE SPARKS, NEVADA 89431 (775) 359-4712 FAX (775) 359-7424 E-MAIL: HAWS@HAWSCO.COM WEBSITE: WWW.HAWSCO.COM		MODEL(S) 1920/1920HPS/1920W	
EQ. NO. REVISED PER BY 3207 EQN.G131 J.G.	DATE CHG. 11/28/24 J.G.	SCALE: N/A	DRAWING TYPE: INSTALLATION
APPROVED: RH	DATE	SIZE: A	SHEET 8 OF 9
PART NUMBER 0510000490.D		REVISION 13	



1107P CONFIG STD CHILD HEIGHT



1109P CONFIG STD CHILD HEIGHT



1311P CONFIG STD CHILD HEIGHT

1311P CONFIG STD CHILD HEIGHT

- NOTES:
- HEIGHT DIMENSIONS SHOWN ARE FOR CHILD ADA APPLICATIONS:
- BOTTLE FILLER HEIGHT AT 40" MAX.
- DRINKING FOUNTAIN BUBBLER HEIGHT AT 30" MAX. (SEE SHEETS 3, 4 & 5 FOR ADULT ADA HEIGHT DIMENSIONS)
 - SEE SEPARATE 6700 DRAWINGS FOR MOUNTING PLATES AND BACK PANELS (SHOWN FOR REFERENCE - SOLD SEPARATELY OR PART OF A BUNDLED PRODUCT).
 - WHEN INSTALLING THIS UNIT, LOCAL, STATE OR FEDERAL CODES SHOULD BE ADHERED TO FOR INSTALLATION LOCATIONS, WASTE & SUPPLY REQUIREMENTS OTHER THAN SHOWN.

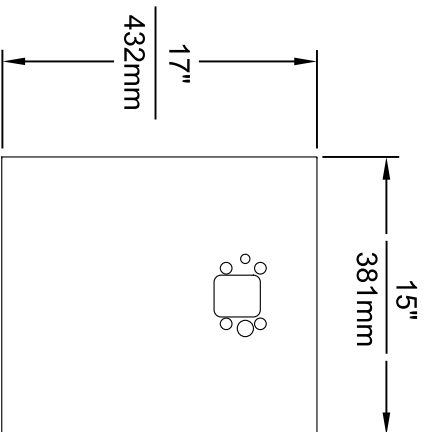
EQ. NO. REVISED PER BY: _____
 DRAWN BY: _____ DATE: _____
 APPROVED: _____ DATE: _____

MODEL(S) _____
 1920/1920HPS/1920W

Haws
Since 1906

1455 KLEPPE LANE
 SPARKS, NEVADA 89431
 (775) 359-4712 FAX (775) 359-7424
 E-MAIL: HAWS@HAWSCO.COM
 WEBSITE: WWW.HAWSCO.COM

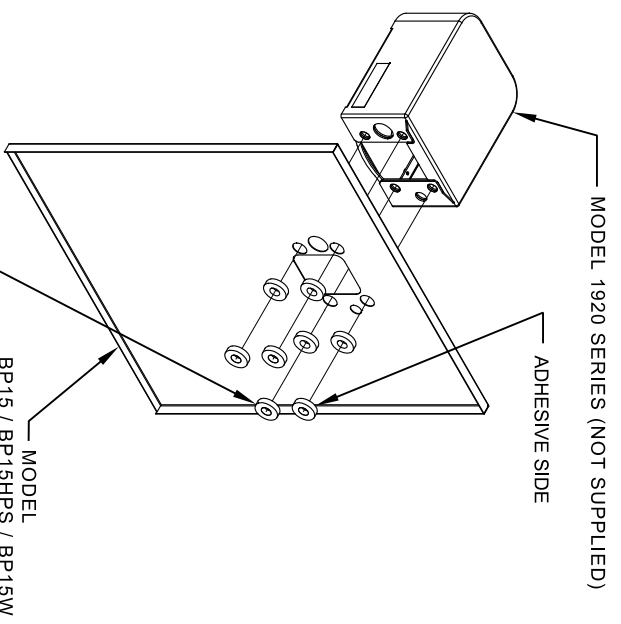
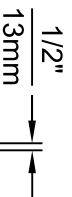
PART NUMBER: 0510000490.D
 REVISION: 13



MODEL BP15 / BP15HPS / BP15W



MODEL BP32 / BP32HPS / BP32W




8 SPACERS (2 PER MOUNTING BOLT IF THE MOUNTING PLATE (MODEL 6700 - NOT SUPPLIED) IS INSTALLED BEHIND THE FINISHED WALL. USE 1 SPACER PER BOLT FOR RETROFITS WHERE THE MOUNTING PLATE (MODEL 6700R - NOT SUPPLIED) IS INSTALLED IN FRONT OF THE FINISHED WALL)

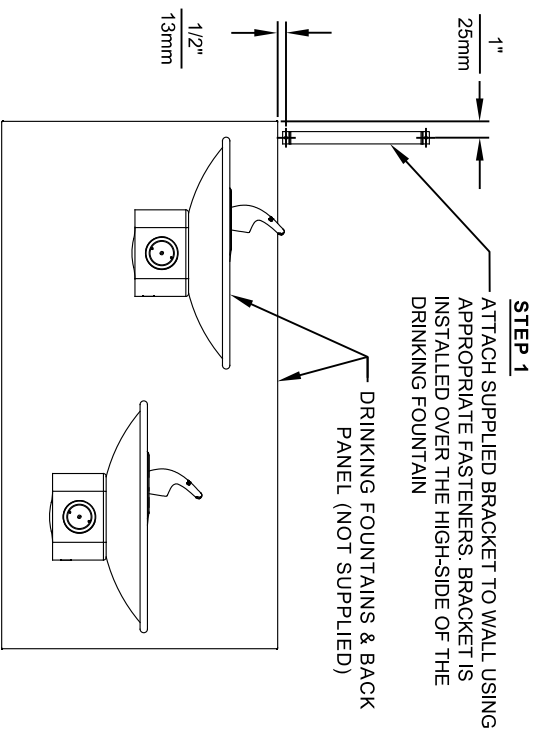
INSTALLATION OVER SINGLE FOUNTAIN

SHOWN FROM REAR

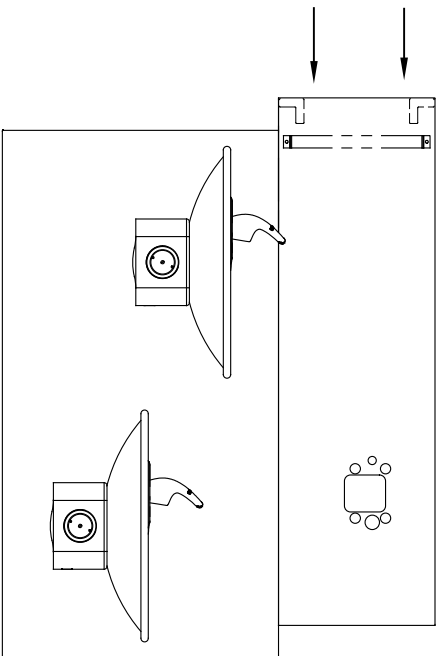
(SEE SHEET 3 OF 3 FOR INSTALLATION OF SPACERS ON COMBINATION BOTTLE FILLER AND FOUNTAIN BACK PANELS FOR CHILD HEIGHT APPLICATIONS - MODELS BP15C & BP15WC)

- NOTES:
1. WHEN INSTALLING THIS UNIT, LOCAL, STATE OR FEDERAL CODES SHOULD BE ADHERED TO.
 2. BOTTLE FILLER SHOWN FOR REFERENCE ONLY (NOT SUPPLIED).

		Since 1906	
1455 KLEPPE LANE SPARKS, NEVADA 89431 (775) 359-4712 FAX (775) 359-7424 E-MAIL: HAWS@HAWS.CO.COM WEBSITE: WWW.HAWS.CO.COM		DRAWING, BACK PANEL, SPACER INSTALLATION FOR BP15 SERIES & BP32 SERIES, BOTTLE FILLER	
EQUIP. NO.	REVISION	DATE	SCALE
0211/25	11	02/11/25	1:1
APPROVED:	DATE	SCALE	INSTALLATION
F.V.	02/11/25	1:1	INSTALLATION
PART NUMBER 0510000493		REVISION 6	



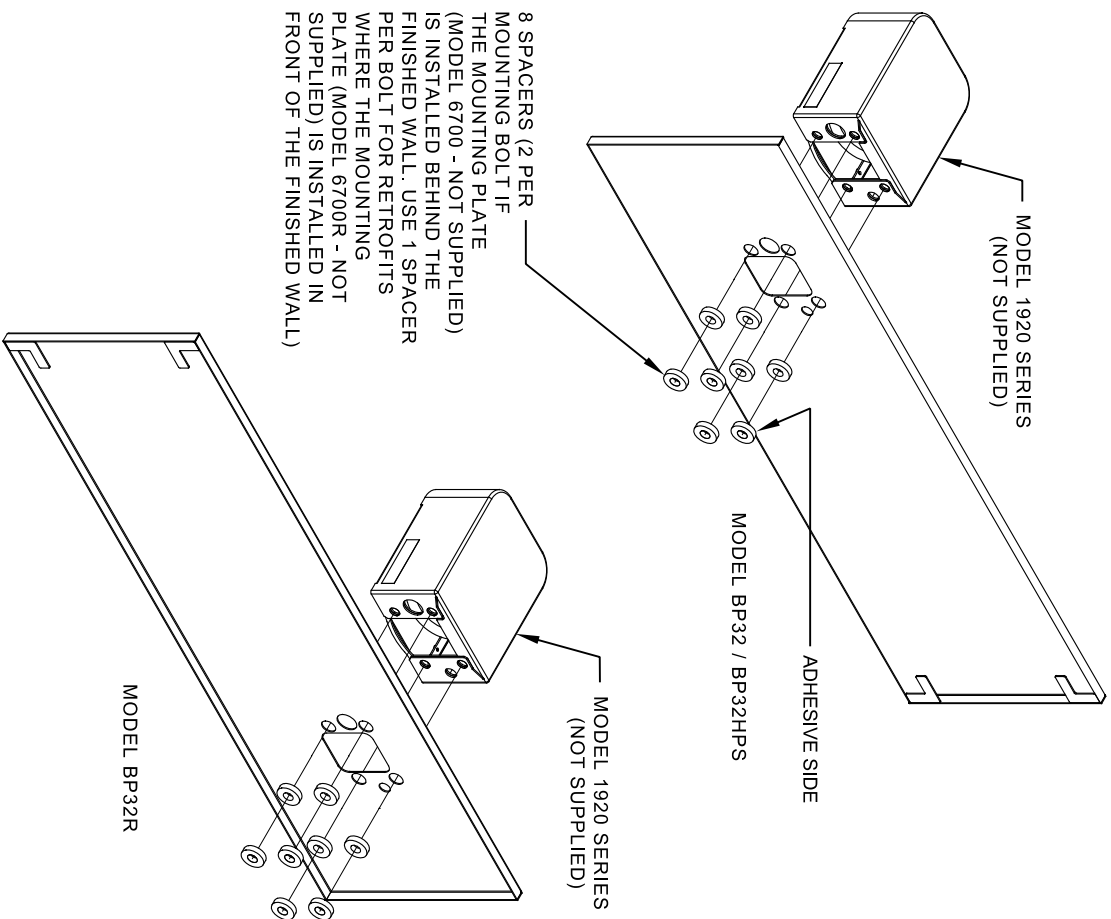
STEP 2
PLACE THE BACKPLATE AGAINST THE WALL AND SLIDE SIDEWAYS SO THE TABS CATCH UNDER THE BRACKET.



STEP 3
INSTALL THE BOTTLE FILLER (NOT SUPPLIED) PER THE INSTRUCTIONS SUPPLIED WITH THE UNIT.

NOTES:

1. WHEN INSTALLING THIS UNIT, LOCAL, STATE OR FEDERAL CODES SHOULD BE ADHERED TO.
2. BOTTLE FILLERS, DRINKING FOUNTAINS & DRINKING FOUNTAIN BACK PANELS SHOWN FOR REFERENCE ONLY (NOT SUPPLIED).



INSTALLATION OVER DOUBLE FOUNTAIN
SHOWN FROM REAR

EQUIP. NO. REQUESTED PER BY: _____		MODEL(S)	
SCALE: 1:1	DATE: 02/11/25	DRAWING, BACK PANEL, SPACER INSTALLATION FOR BP15 SERIES & BP32 SERIES, BOTTLE FILLER	
SCALE: 1:1	DATE: 02/11/25	INSTALLATION	SIZE: A
SCALE: 1:1	DATE: 02/11/25	INSTALLATION	SHEET 2 OF 3




Haws
Since 1906

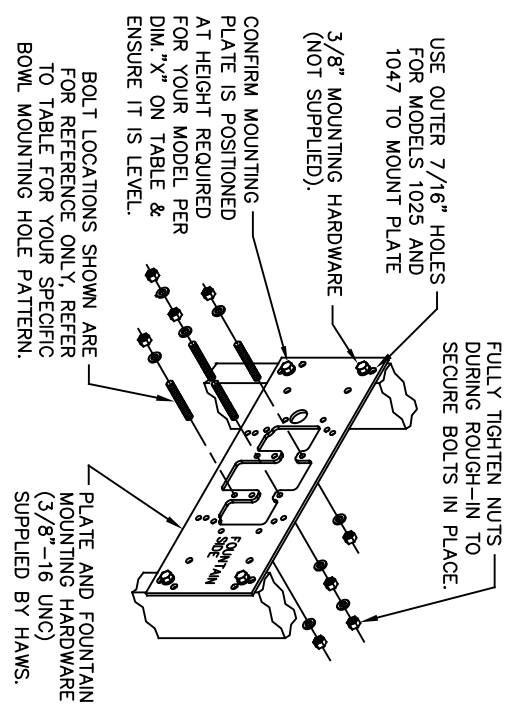
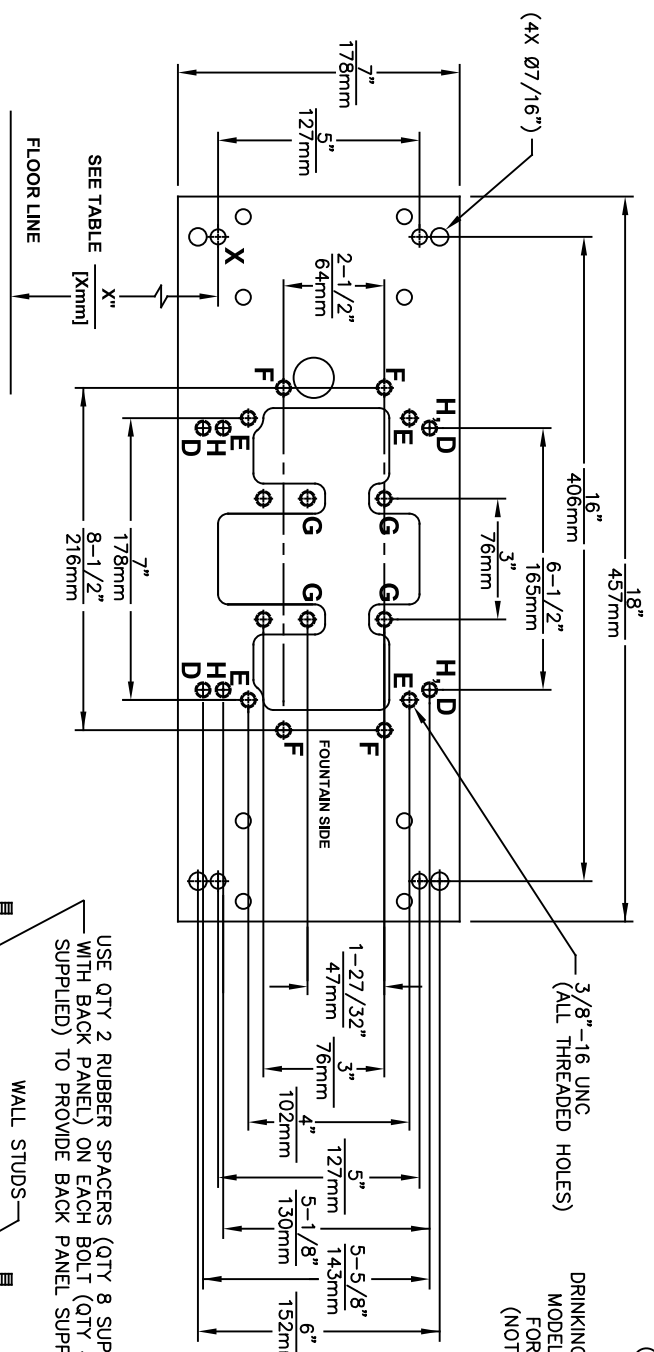
1455 KLEPPE LANE
SPARKS, NEVADA 89431
(775) 359-4712 FAX (775) 359-7424
E-MAIL: HAWS@HAWSCC.COM
WEBSITE: WWW.HAWSCC.COM

PART NUMBER 0510000493	REVISION 6
---------------------------	---------------

6700 INDEX

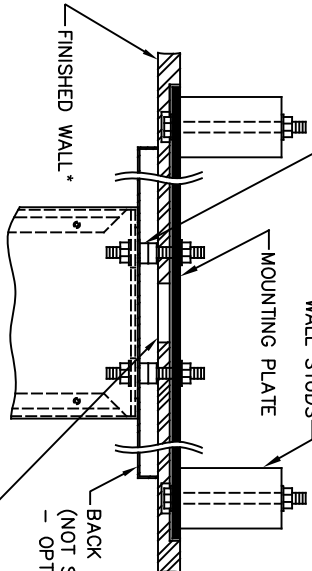
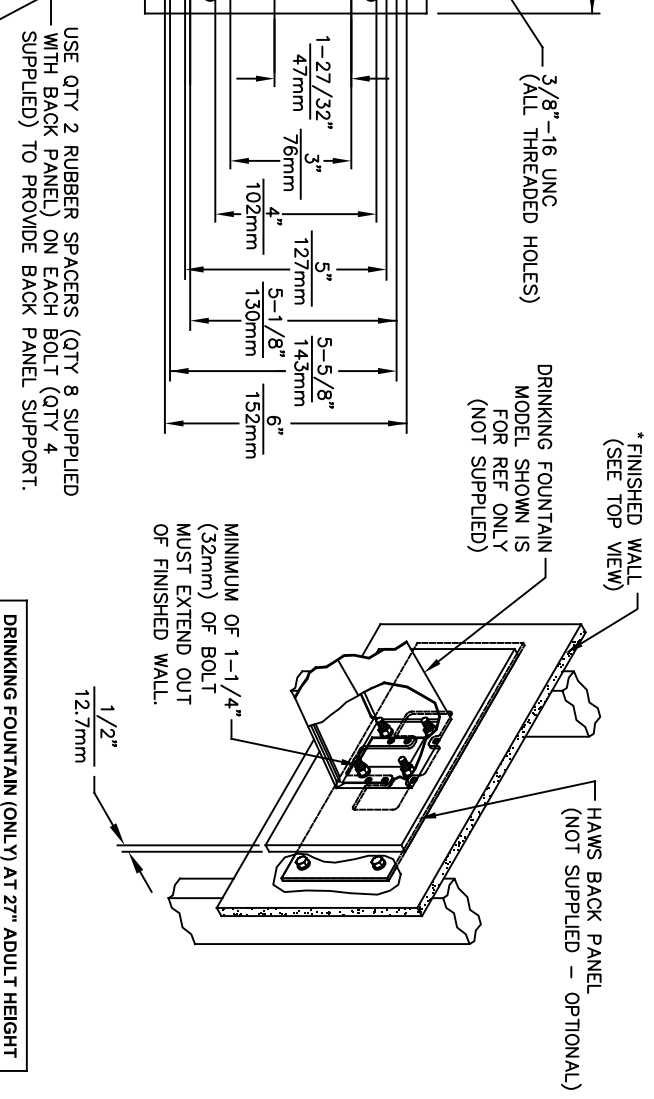
INSTALLATION WITH:	TYPICAL USES	SEE SHEET...
GENERAL INSTALLATION		IMPORTANT INFORMATION FOR ALL INSTALLATIONS
1001 BOWLS	HAWS SERIES 1001X, 1001.8X	3 OF 6
1107 BOWLS	HAWS SERIES 1107X, 1107.8X	3 OF 6
1109 BOWLS	HAWS SERIES 1109X, 1109.8X	3 OF 6
1047 BOWLS	HAWS SERIES 1047	4 OF 6
1011 BOWLS	HAWS SERIES 1011X, 1011.8X	4 OF 6
1119 BOWLS	HAWS SERIES 1119X, 1119.8X	4 OF 6
1117 BOWLS	HAWS SERIES 1117X, 1117.8X	5 OF 6
1311 BOWLS	HAWS SERIES 1311	5 OF 6
1501 BOWLS	HAWS SERIES 1501	5 OF 6
CHILD HEIGHT	HAWS 1107PCH, 1109PCH, 1311PCH	6 OF 6

 Haws <i>Since 1906</i>		1455 KLEPPE LANE SPARKS, NEVADA 89431 (775) 359-4712 FAX (775) 359-7424 E-MAIL: HAWS@HAWSCO.COM WEBSITE: WWW.HAWSCO.COM	
ECN NO. REVISED PER BY:	DATE:	MODEL(S)	INSTALLATION
ECN: 6148	10/03/24	67/00	
DRAWN: JG	CHKD: JG	PART NUMBER	REVISION
APPROVED: FV	DATE: 02/11/25	0002080016	26
SCALE: N/A	DRAWING TYPE:	SIZE: A	SHEET 1 OF 6



CAUTION

REGARDING CONCRETE/MASONRY WALL MOUNTING: DO NOT SECURE MOUNTING PLATE TO SAME SIDE OF WALL AS FOUNTAIN. AVOID COMPROMISING INTEGRITY OF WALL WHEN ANCHORING FOUNTAIN. IT IS RECOMMENDED THAT INSTALLER CALL TECHNICAL SUPPORT IF THERE ARE ANY QUESTIONS AS TO HOW TO OBTAIN A PROPER ANCHOR IN CONCRETE/MASONRY WALLS. 1-800-766-5612



TOP VIEW
 6700 MOUNTING PLATE
 FOR USE WITH
 DRINKING FOUNTAINS
 AND WASTE DRIP TRAYS
 AT 27" ADULT HEIGHT
 (SEE SHEETS 2 - 5 FOR USE WITH
 BOTTLE FILLER 1920/1920HO SERIES
 AND CHILD HEIGHT APPLICATIONS)

MODEL	USE BOWL MTG. HOLE PATTERN	USE "X" DIM. BELOW TO POSITION MOUNTING PLATE HOLE "X"
1001	"G"	25-3/8" [645mm]
1025	"D"	28-1/8" [714mm]
1047	"E"	24-3/8" [619mm]
1105	"H"	34-5/16" [872mm]
1107	"F"	26-3/16" [665mm]
1109	"H"	27-5/16" [694mm]
1109.14	"H"	27-5/16" [694mm]
1109FR	"H"	27-5/16" [694mm]
1311	"E"	26-3/4" [679mm]

WASTE DRIP TRAY (ONLY) AT 27" ADULT HEIGHT	PART NUMBER
"G"	6468
"G"	1922

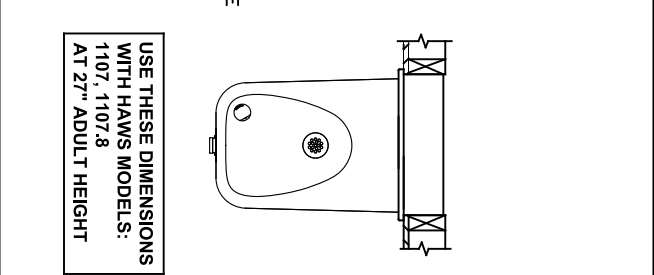
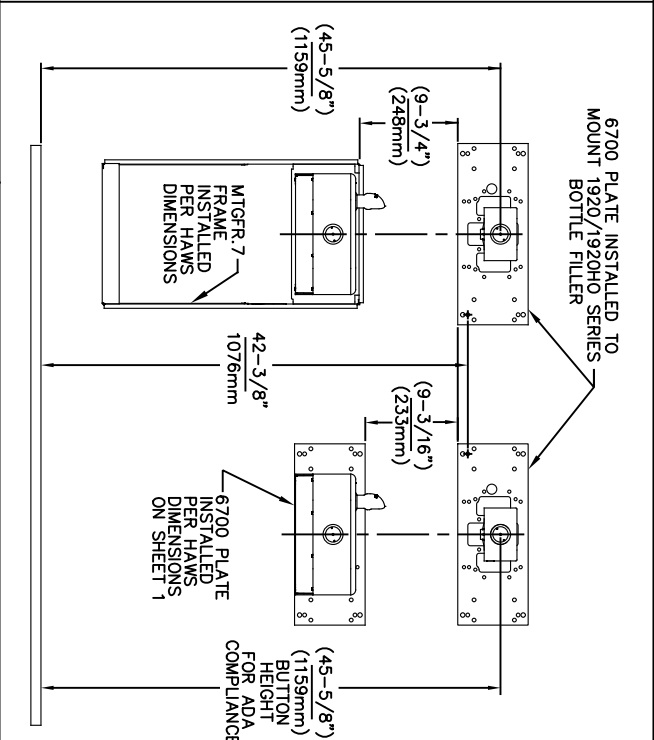
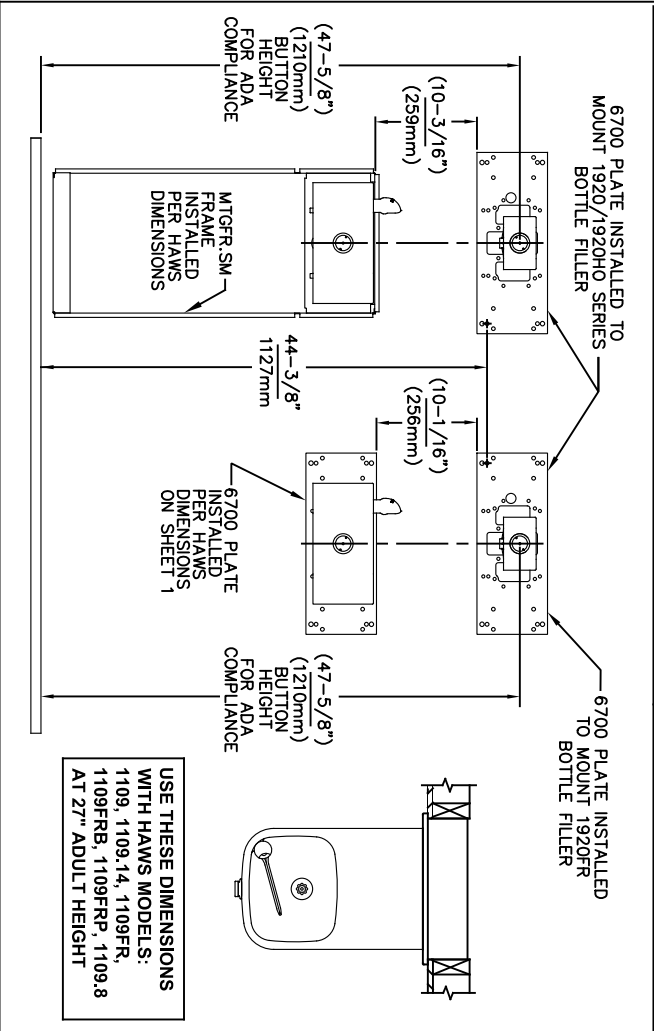
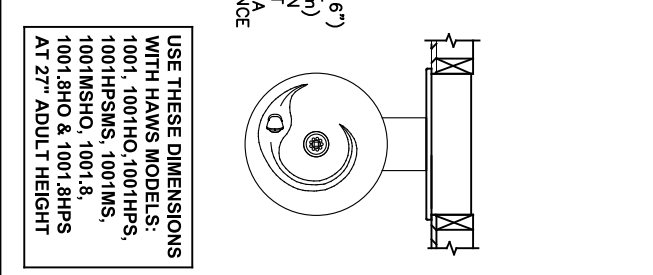
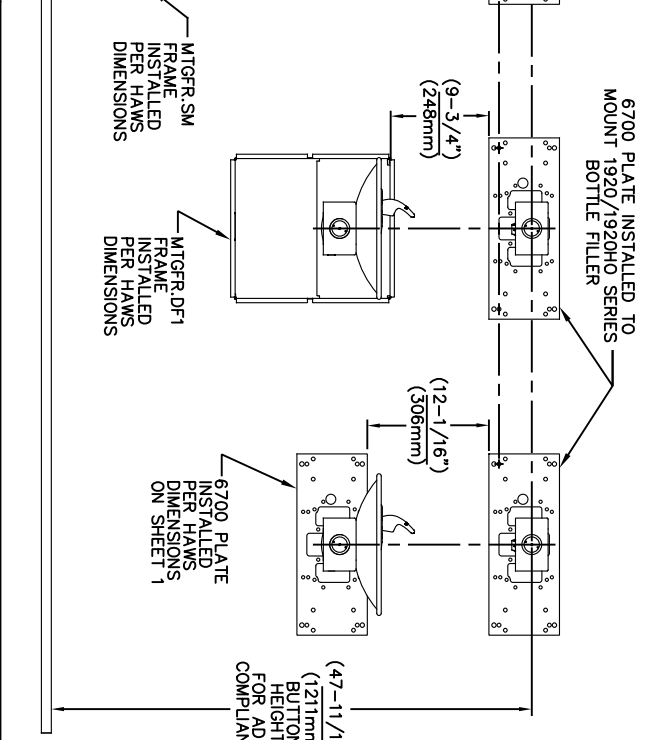
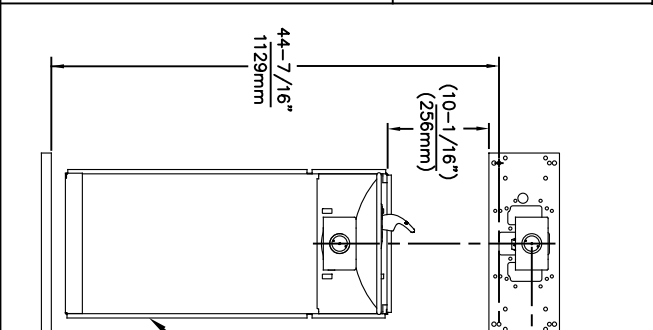
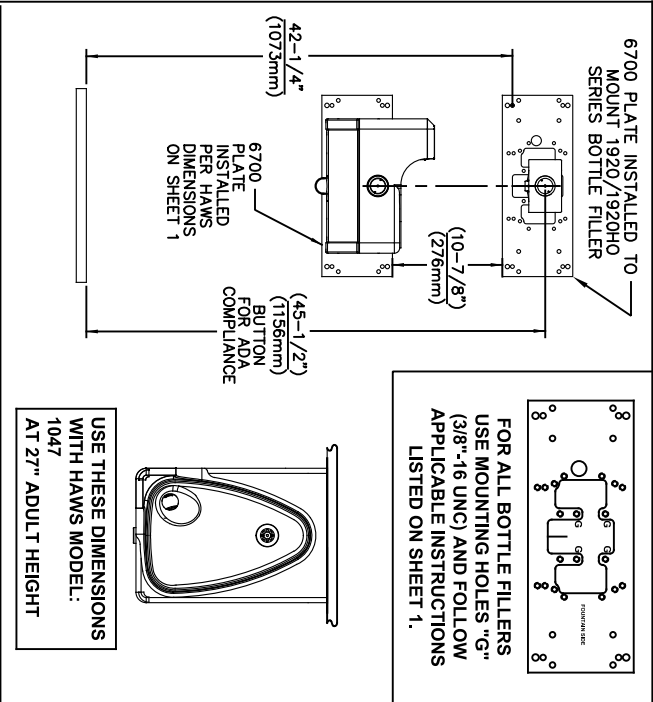
* FINISH WALL OVER MOUNTING PLATE AND BEHIND BACK PANEL. MAKE SURE THAT FINISHED WALL EXTENDS WITHIN THE BRACKET/BOWL MOUNTING HOLES (TO PROVIDE SURFACE AREA FOR RUBBER SPACERS TO CONTACT).

1455 KLEPPE LANE
 SPARKS, NEVADA 89431
 (775) 369-4712 FAX (775) 359-7424
 E-MAIL: HAWVS@HAWVSCO.COM
 WEBSITE: WWW.HAWVSCO.COM

ECN NO. / REVISED PER BY: / MODEL(S)
 DRAWN: / DATE: / CHK'D: /
 C.L. / 09/20/23 / JG /
 APPROVED: / DATE: / SCALE: / N/A / DRAWING TYPE: / INSTALLATION: / SIZE: / A / SHEET: / 2 OF 6 /

67/00

REVISION: / 26 /



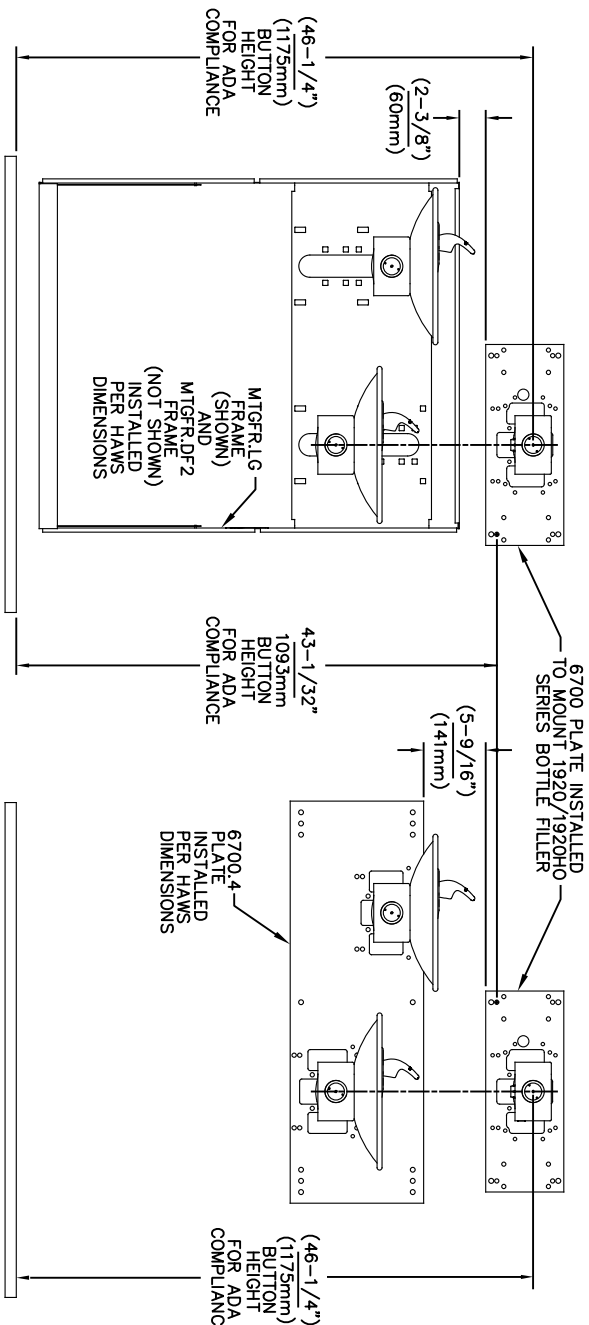
NOTES:
 1. WHEN INSTALLING THIS UNIT, LOCAL, STATE OR FEDERAL CODES SHOULD BE ADHERED TO.
 2. BACK PANELS (OPTIONAL) NOT SHOWN FOR CLARITY.

6700 MOUNTING PLATE
 FOR USE WITH BOTTLE FILLER
 (SEE SHEET 1 FOR USE WITH
 DRINKING FOUNTAINS)

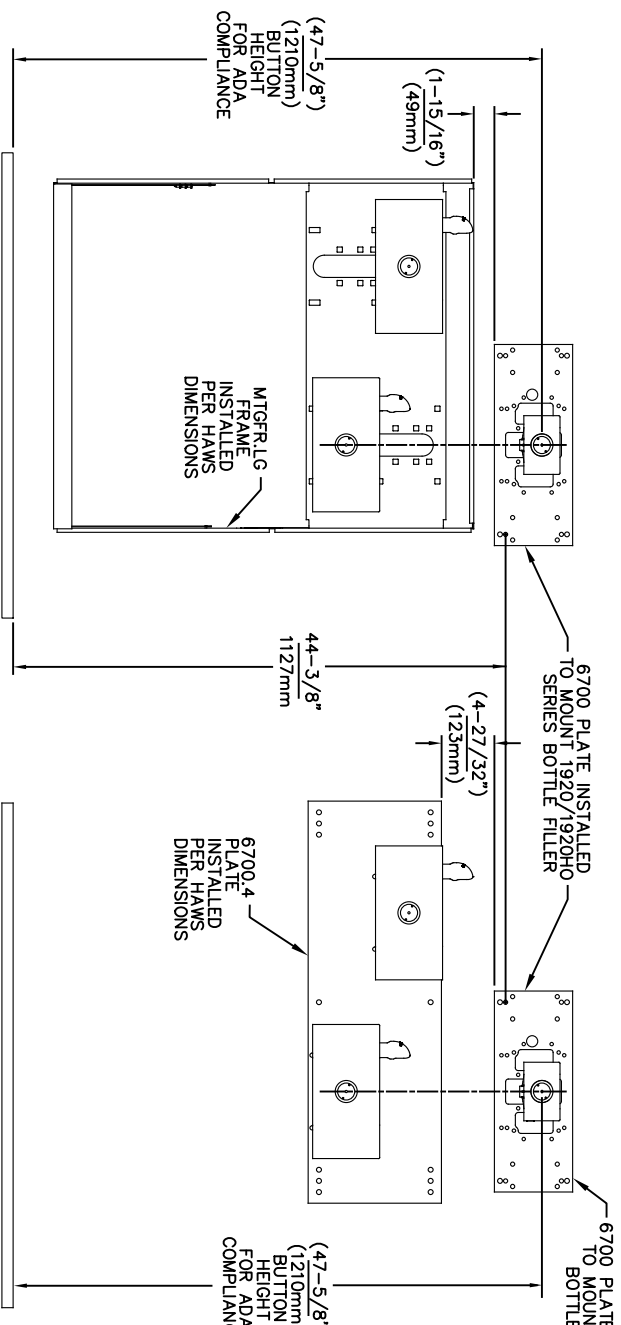
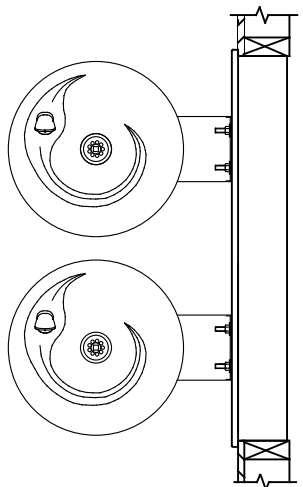
1455 KLEPPE LANE
 SPARKS, NEVADA 89431
 (775) 359-4712 FAX (775) 359-7424
 E-MAIL: HAWS@HAWS.CO.COM
 WEBSITE: WWW.HAWS.CO.COM

ECN NO. REVISED PER BY:	MODEL(S)
ECN 6148 JG	6700
DATE: 02/09/17	
CHK'D: JG	
DATE:	
APPROVED: EV	SCALE: N/A
DATE: 02/11/25	DRAWING TYPE: INSTALLATION
	SIZE: A
	SHEET: 3 OF 6
	REVISION: 26

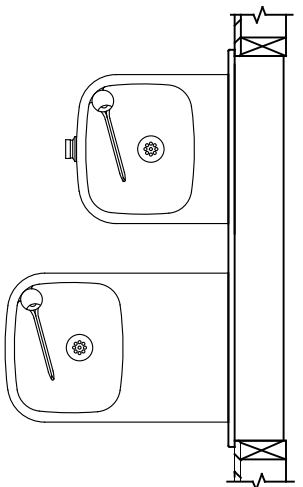
PART NUMBER: 0002080016



USE THESE MOUNTING DIMENSIONS IF INSTALLING OVER HAWS FOUNTAIN
 MODEL: 1011, 1011HO, 1011HO2, 1011HPS, 1011HPSHO, 1011HPSHO2, 1011HPSMS, 1011MS, 1011MSHO, 1011MSHO2, 1011.8, 1011.8HO, 1011.8HO2 & 1011.8HPSMS AT 27" ADULT HEIGHT
 INSTALL THE 6700 ABOVE THE FOUNTAIN MOUNTING PLATE OR FRAME AT THE DIMENSION SHOWN FOR CORRECT BACKPANEL SPACING
BACK PANELS FOR BOTTLE FILLERS (NOT SUPPLIED - OPTIONAL) ARE NOT SHOWN FOR CLARITY.



USE THESE MOUNTING DIMENSIONS IF INSTALLING OVER HAWS FOUNTAIN
 MODEL: 1119, 1119.14, 1119.14HO, 1119.14HO2, 1119FR, 1119FRB, 1119FRP, 1119HO, 1119HO2 & 1119.8 AT 27" ADULT HEIGHT
 INSTALL THE 6700 ABOVE THE FOUNTAIN MOUNTING PLATE OR FRAME AT THE DIMENSION SHOWN FOR CORRECT BACKPANEL SPACING
BACK PANELS FOR BOTTLE FILLERS (NOT SUPPLIED - OPTIONAL) ARE NOT SHOWN FOR CLARITY.



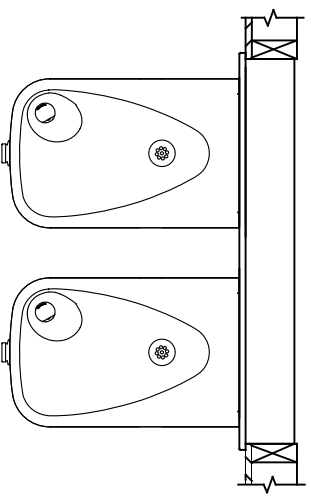
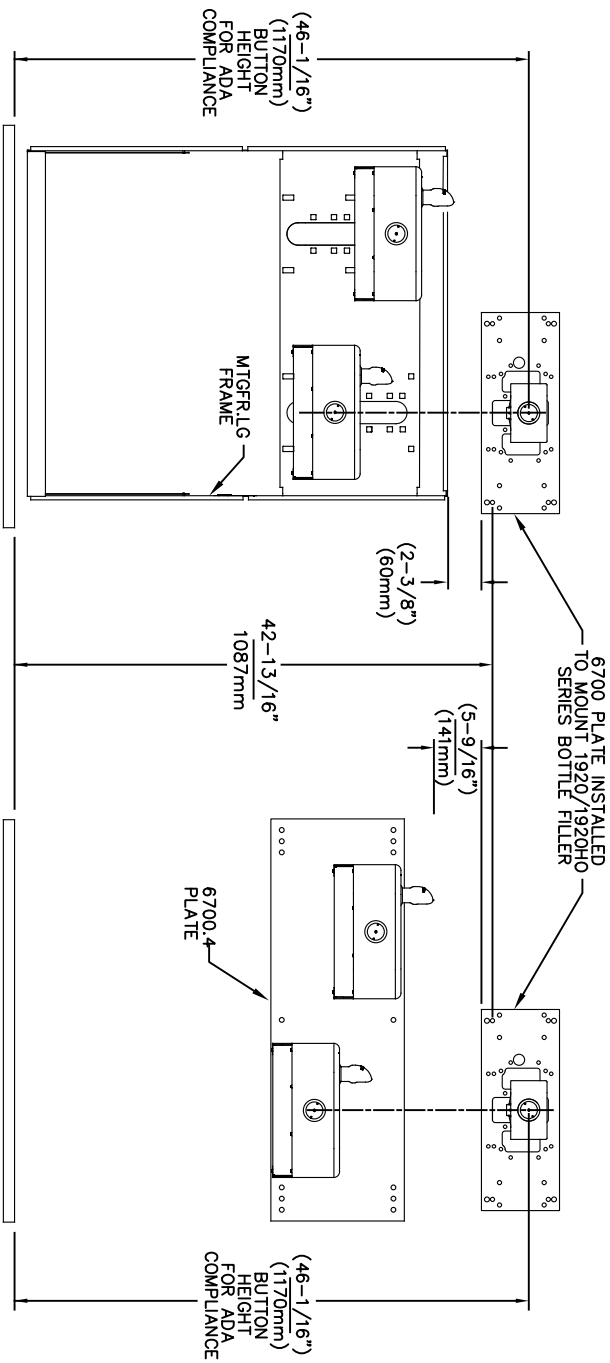
- NOTES:
 1. WHEN INSTALLING THIS UNIT, LOCAL, STATE OR FEDERAL CODES SHOULD BE ADHERED TO.
 2. BACK PANELS (OPTIONAL) NOT SHOWN FOR CLARITY.

6700 MOUNTING PLATE
 FOR USE WITH BOTTLE FILLER
 (SEE SHEET 1 FOR USE WITH
 DRINKING FOUNTAINS)

Since 1906

1459 KLEPPE LANE
 SPARKS, NEVADA, 89431
 (775) 359-4712 FAX (775) 359-7424
 E-MAIL: HAWS@HAWS.CO.COM
 WEBSITE: WWW.HAWS.CO.COM

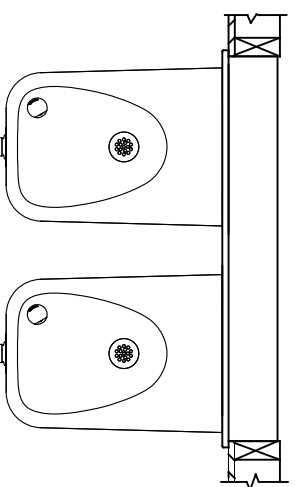
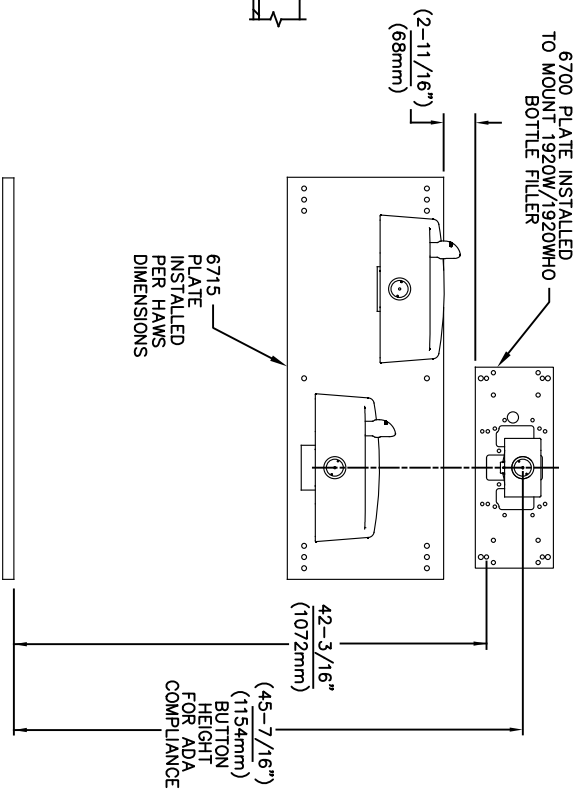
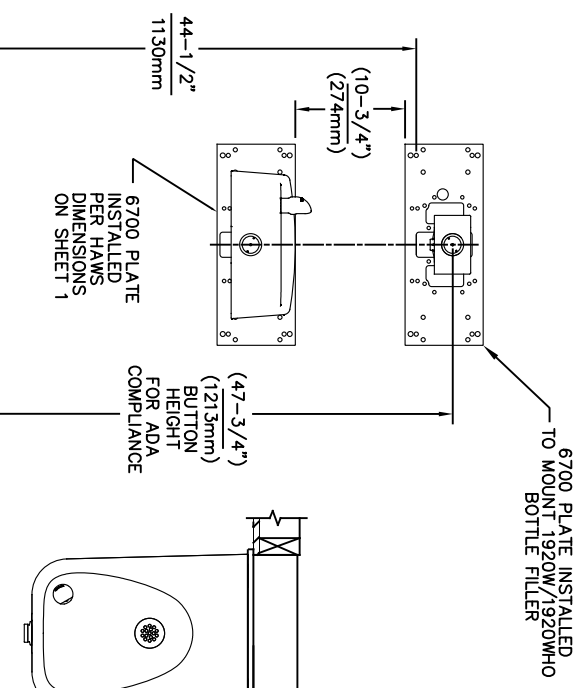
ECN NO. REVISED PER BY:	MODEL(S)
5550 ECN: 6148 JG	6700
DATE: 05/14/20 JG	
CHKD:	
APPROVED: EV	SCALE: 1:13
DATE: 02/11/25	DRAWING TYPE:
	INSTALLATION:
	SHEET 4 OF 6
	REVISION: 26
	PART NUMBER 0002080016



USE THESE MOUNTING DIMENSIONS IF INSTALLING OVER HAWS FOUNTAIN MODEL: 1117, 1117.8 AT 27" ADULT HEIGHT

INSTALL THE 6700 ABOVE THE FOUNTAIN MOUNTING PLATE OR FRAME AT THE DIMENSION SHOWN FOR CORRECT BACKPANEL SPACING

BACK PANELS FOR BOTTLE FILLERS (NOT SUPPLIED - OPTIONAL) ARE NOT SHOWN FOR CLARITY.



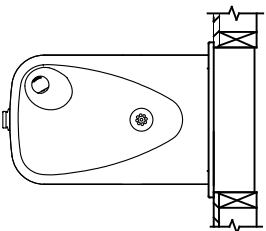
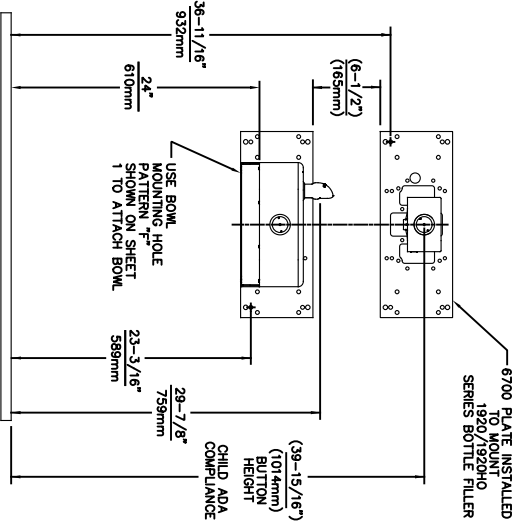
USE THESE MOUNTING DIMENSIONS IF INSTALLING OVER HAWS FOUNTAIN MODEL: 1311, 1501 AT 27" ADULT HEIGHT

INSTALL THE 6700 ABOVE THE FOUNTAIN MOUNTING PLATE AT THE DIMENSION SHOWN FOR CORRECT BACKPANEL SPACING (IF APPLICABLE). BACK PANEL FOR BOTTLE FILLER (NOT SUPPLIED - OPTIONAL) IS NOT SHOWN FOR CLARITY.

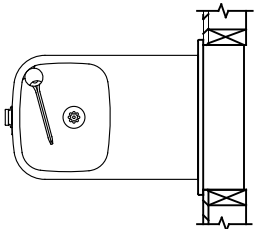
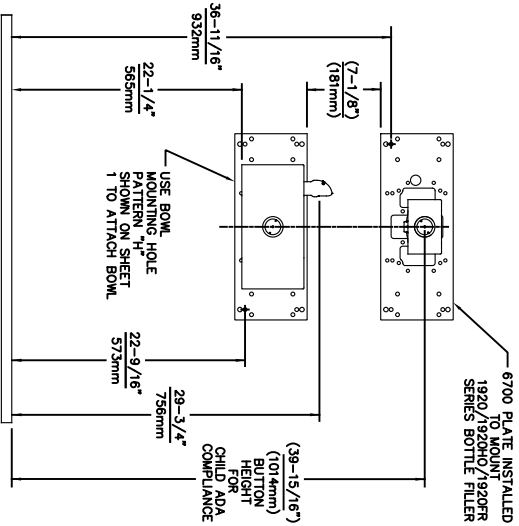
- NOTES:
1. WHEN INSTALLING THIS UNIT, LOCAL, STATE OR FEDERAL CODES SHOULD BE ADHERED TO.
 2. BACK PANELS (OPTIONAL) NOT SHOWN FOR CLARITY.

6700 MOUNTING PLATE FOR USE WITH BOTTLE FILLER (SEE SHEET 1 FOR USE WITH DRINKING FOUNTAINS)

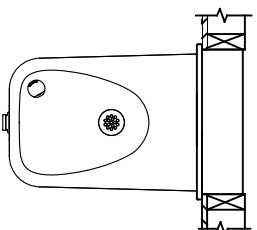
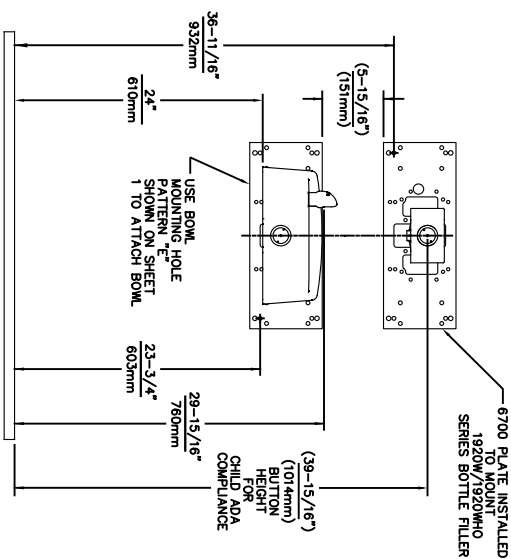
		MODEL(S)	
ECON. REVISED PERBY: 5550		6700	
DRAWN: FV	DATE: 05/14/20	CHKD: JG	SCALE: 1:13
APPROVED: FV	DATE: 02/11/25		DRAWING TYPE: INSTALLATION
1459 KLEPPE LANE		SHEET 5 OF 6	
SPARKS, NEVADA, 89431			
(775) 359-4712 FAX (775) 359-7424			
E-MAIL: HAWS@HAWSCO.COM			
WEBSITE: WWW.HAWSCO.COM			
PART NUMBER 0002080016			
REVISION: 26			



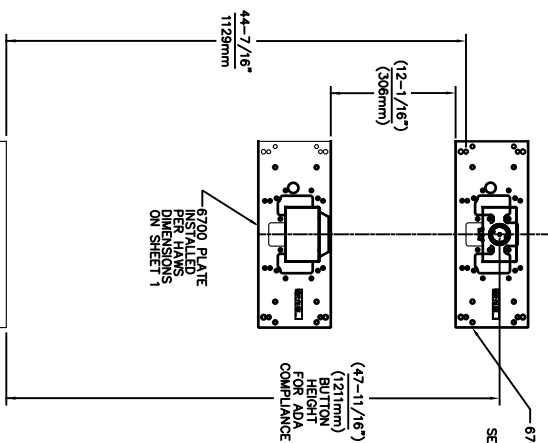
6700 MOUNTING PLATE
FOR USE WITH BOTTLE FILLER AT
40" MAX. AND
DRINKING FOUNTAIN
AT 24" AND BUBBLER HEIGHT AT 30"
MAX. FOR CHILD ADA HEIGHT
(SEE SHEETS 1 & 2 FOR USE WITH
DRINKING FOUNTAIN AT 27" ADULT
HEIGHT DIMENSIONS)



NOTES:
1. WHEN INSTALLING THIS UNIT, LOCAL, STATE
OR FEDERAL CODES SHOULD BE ADHERED TO.
2. ONE PIECE BACK PANELS BP15C (FOR USE WITH MODELS 1107L,
1109 SERIES & BOTTLE FILLER) & BP15WC (FOR USE WITH MODEL
1311 & BOTTLE FILLER) ARE USED FOR CHILD HEIGHT APPLICATIONS
AND ARE OPTIONAL (NOT SHOWN FOR CLARITY).




6700 MOUNTING PLATE
FOR USE WITH BOTTLE FILLER AT
40" MAX. AND
DRINKING FOUNTAIN
AT 24" AND BUBBLER HEIGHT AT 30"
MAX. FOR CHILD ADA HEIGHT
(SEE SHEETS 1 & 4 FOR USE WITH
DRINKING FOUNTAIN AT 27" ADULT
HEIGHT DIMENSIONS)



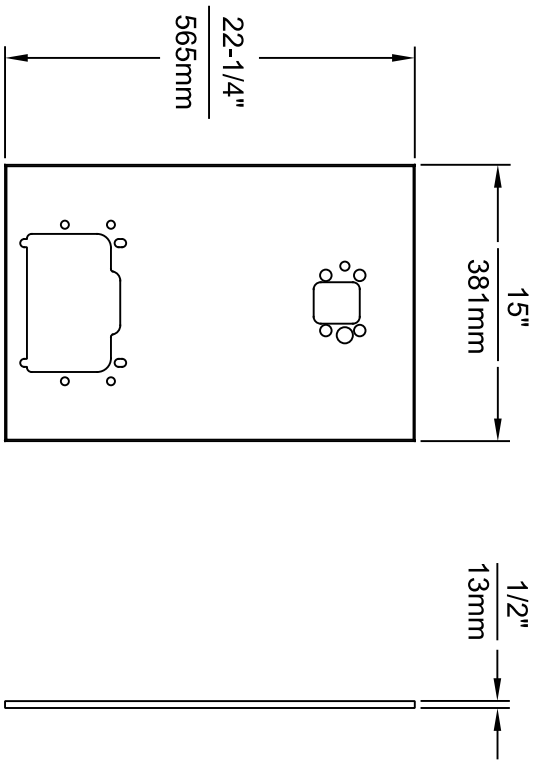
USE THESE MOUNTING DIMENSIONS IF
INSTALLING OVER HAWS WASTE DRIP
TRAY. MODEL: 6468 (SHOWN), 1922
MODEL 1922 INCLUDES 1920 BOTTLE
FILLER. THE 1920 BOTTLE FILLER
BP15C BACK PANELS (NOT SHOWN),
AT 27" ADULT HEIGHT.
INSTALL THE 6700 ABOVE THE
DRAIN TRAY MOUNTING PLATE AT
THE DIMENSION SHOWN FOR CORRECT
BACK PANEL SPACING (IF APPLICABLE,
NOT SUPPLIED - OPTIONAL) IS NOT
SHOWN FOR CLARITY.

6700 MOUNTING PLATE
FOR USE WITH BOTTLE FILLER
(SEE SHEET 1 FOR USE WITH
DRINKING FOUNTAINS
AND WASTE DRIP TRAY)

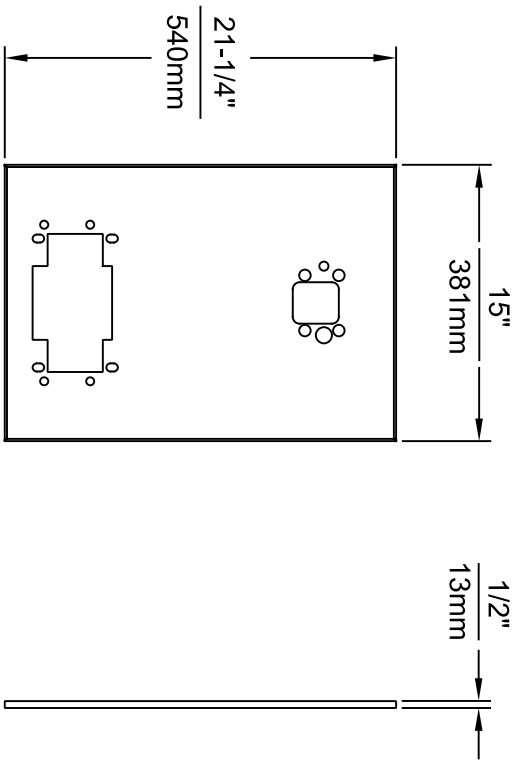


Haws
Since 1906

ECON. NO. REVISED PER BY: MODEL(S)		PART NUMBER	
5893	ECON. 6148	JG	6700
DATE: 07/26/23	CHKD: JG	REVISION:	26
APPROVED: EV	DATE: 02/11/25	SCALE: 1:13	DRAWING TYPE: INSTALLATION
1459 KLEPPE LANE		SPARKS, NEVADA 89431	
(775) 359-4712		FAX (775) 359-7424	
E-MAIL: HAWS@HAWS.CO.COM		WEBSITE: WWW.HAWS.CO.COM	

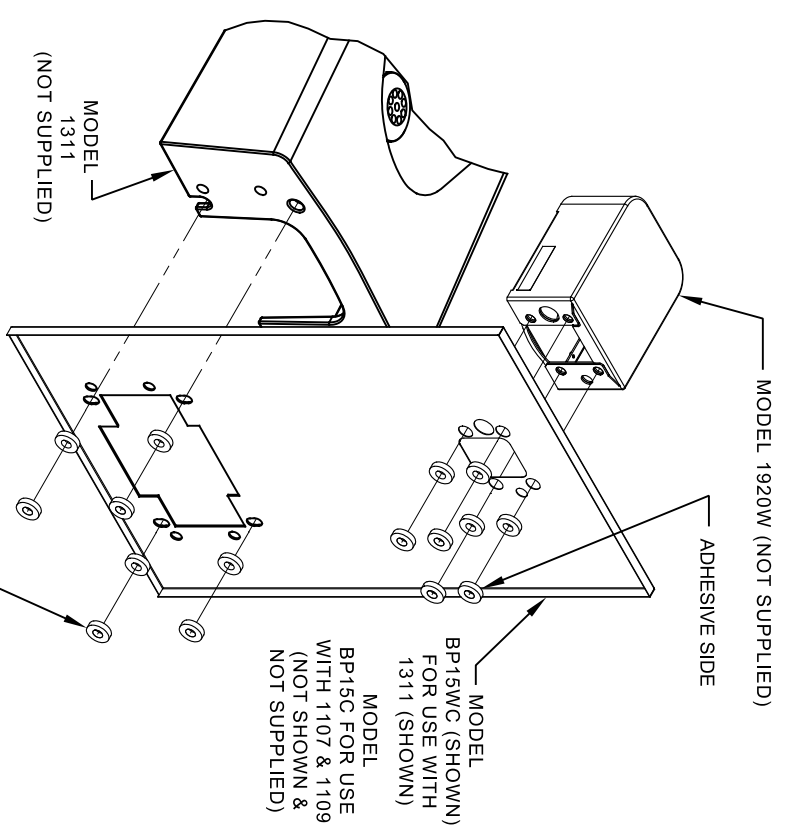


MODEL BP15C
(FOR MODELS 1107 & 1109)



MODEL BP15WC
(FOR MODEL 1311)

- NOTES:
1. WHEN INSTALLING THIS UNIT, LOCAL, STATE OR FEDERAL CODES SHOULD BE ADHERED TO.
 2. BOTTLE FILLER AND DRINKING FOUNTAIN SHOWN FOR REFERENCE ONLY (NOT SUPPLIED).



- 16 SPACERS (2 PER MOUNTING BOLT IF BOTH MOUNTING PLATES (MODEL 6700 - NOT SUPPLIED) ARE INSTALLED BEHIND THE FINISHED WALL. USE 1 SPACER PER BOLT FOR RETROFITS WHERE BOTH MOUNTING PLATES (MODEL 6700R - NOT SUPPLIED) ARE INSTALLED IN FRONT OF THE FINISHED WALL)

ONE PIECE INSTALLATION ON SINGLE FOUNTAIN

SHOWN FROM REAR
(MODEL BP15C & BP15WC ARE COMBINATION BOTTLE FILLER AND FOUNTAIN BACK PANELS USED FOR CHILD HEIGHT APPLICATIONS ONLY ON MODELS 1107, 1109 & 1311 - BOTTLE FILLER & DRINKING FOUNTAIN NOT SUPPLIED)

		1455 KLEPPE LANE SPARKS, NEVADA, 89431 (775) 359-4712 FAX (775) 359-7424 E-MAIL: HAWS@HAWSCO.COM WEBSITE: WWW.HAWSCO.COM	
EQN. NO. REVISED PER BY: MODEL(S) SIZE EQN. 6146 N. JIG DRAWN BY: DATE: CHG. DATE: CHG. DATE: CHG.	DRAWING, BACK PANEL, SPACER INSTALLATION FOR BP15 SERIES & BP32 SERIES, BOTTLE FILLER	PART NUMBER 0510000493	REVISION 6
APPROVED: F.V. DATE: 02/11/25 SCALE: 1:1 DRAWING TYPE: INSTALLATION SIZE: A SHEET 3 OF 3			