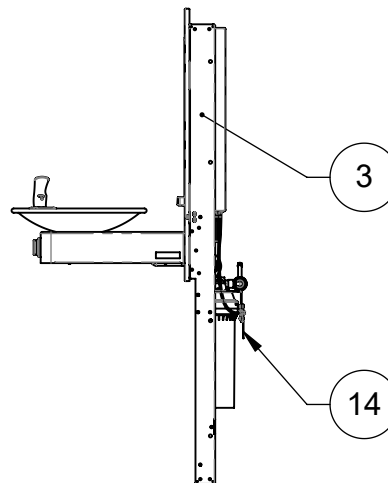
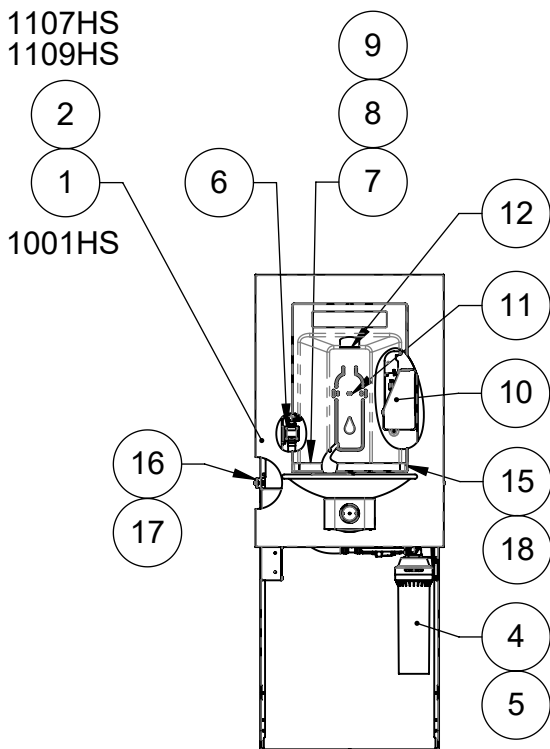
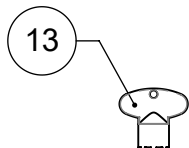



ITEM	DESCRIPTION	PART NO.
1	BOTTLE FILLER, 1001 HS MODELS	HS3
2	BOTTLE FILLER, 1107/1109 HS MODELS	HS5
3	FRAME, MOUNTING, SINGLE, W/CORD, RIVIVE FTN & 2000HSA.8	HS11
4	FILTER, 12XX EWC, LEAD/CYST/CTO	6428
5	STRAINER, MESH, 110 MICRON, NON-SERVICEABLE	6434
6	VALVE, SOLENOID, 3/8 QC, 120VAC	0110000827.4
7	DRAIN BASIN, HS MODELS	0410000894
8	GRATE, 304 SST, HS MODELS	0410000895
9	SCREW, 8-32 UNC X .375, SST, PAN, T-20 TORX	0310000550
10	FUSE, 10A-250VAC, SLOW BLOW, 5MM X 20MM, GLASS	0210001120
11	PCBA, PROXIMITY SENSOR, HS MODELS	0210001175
12	AERATOR, LAMINAR FLOW CONTROL, 1.2 GPM	0110001537
13	AERATOR INSTALLATION TOOL	0510000672
14	RFID BOARD PCBA	0210000745.6
15	COVER, CORNER, HS MODELS	0410000897
16	CLIP, PANEL ATTACHMENT, HS MODELS	0410000903
17	SCREW, 8-32 UNC X .500, SST, PAN, T-20 TORX	0310000551
18	SCREW, 10-24 UNC X .563, SST, BUTTON HEAD, T20 TORX	0310000540
19	BUBBLER HEAD, PCP, 1001 BOWL	5705
20	BUBBLER HEAD, PCP, 1107 AND 1109 FTN	5703M
21	BUTTON, PUSH, 5874, FLANGED W/ VALVE	5874PBF
22	BUTTON, PUSH, 5874, FLANGED	PBA6
23	VALVE REPAIR KIT	VRK5874
24	STRAINER, WASTE ASSEMBLY, SCP OR PCP, 1001 FTN	6463
25	STRAINER, WASTE ASSEMBLY, 1107 AND 1109 FTN	6462
26	PLATE, BOTTOM, 1001 FTN	PBM1000
27	PLATE, BOTTOM, 1107 FTN	PBM1107
28	PLATE, BOTTOM, 1109 FTN	PBM1109
29	DRIVER, NOZZLE, .25 HEX	0002082253

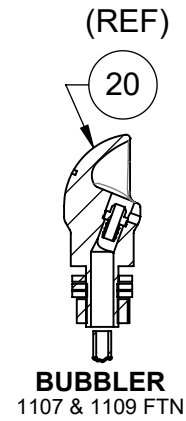
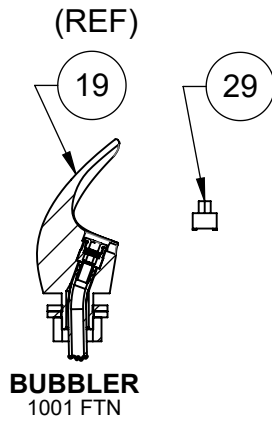
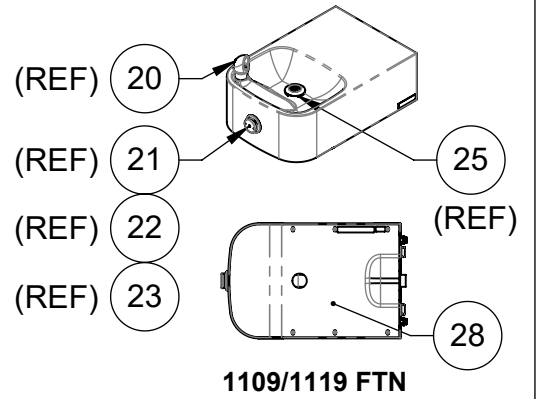
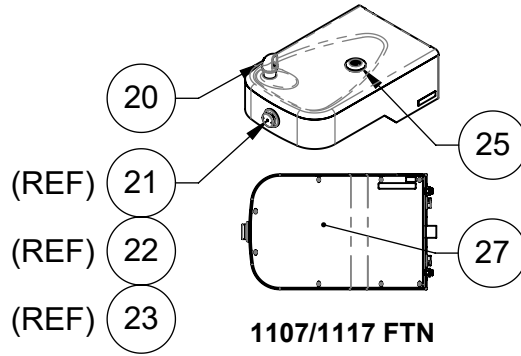
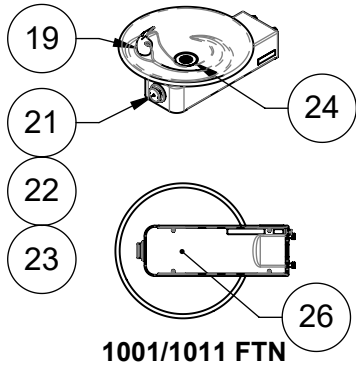


1001HS SHOWN FOR REFERENCE




WHEN ORDERING PARTS, PLEASE SPECIFY PART NUMBER

			1455 KLEPPE LANE SPARKS, NEVADA 89431 (775) 359-4712 FAX (775) 359-7424 E-MAIL: HAWS@HAWSO.COM WEBSITE: WWW.HAWSO.COM	
ECN: 6000	REV. ECN: 6000	BY: DHP	MODEL(S)	PART NUMBER
DRAWN: DHP	DATE: 12/15/22	CHKD: DHP	1X0XHS, SINGLE FOUNTAIN MODELS, REAR ACCESS	0510002220
APPROVED: JU	DATE: 07/08/24	SCALE: 1:20	DRAWING TYPE: PARTS BREAKDOWN	REVISION 1
			SIZE: A	SHEET 1 OF 2



WHEN ORDERING PARTS, PLEASE SPECIFY PART NUMBER

		1455 KLEPPE LANE SPARKS, NEVADA 89431 (775) 359-4712 FAX (775) 359-7424 E-MAIL: HAWS@HAWSO.COM WEBSITE: WWW.HAWSO.COM	
ECN: 6000	REV. ECN: 6000	BY: DHP	MODEL(S) 1X0XHS, SINGLE FOUNTAIN MODELS, REAR ACCESS
DRAWN: DHP	DATE: 12/15/22	CHKD: DHP	PART NUMBER 0510002220
APPROVED: JU	DATE: 07/08/24	SCALE: 1:20	REVISION 1
DRAWING TYPE: PARTS BREAKDOWN		SIZE: A	SHEET 2 OF 2