

FEATURES & BENEFITS

FIELD CONFIGURABLE FILTERING

3000 gallon (11356 L) capacity, Electronic Lifecycle Control filter cartridge. Choose between filtered or non-filtered water with the included interchangeable 3000-gallon filter and 5y rated strainer.

SMART ENERGY SAVINGS MODE

Energy saving feature allows unit to power off the refrigeration system after 2 hours of non-use. Unit will automatically start back up next time unit is used.

AUTO PURGE

Auto purge feature automatically cycles once every 24 hours, if no use, to assure a fresh water supply as well as trap integrity.

VANDAL RESISTANT

Vandal-resistant sensor resists scratching and water droplet fowling, and is separated from display for maintenance, and sensor features a 20-second timeout function which prevents unwanted use.

LED DISPLAY

Display menu which shows sensor range adjustment, factory reset, software/firmware version readout and error readout, along with bottle counter showing number of bottles saved.

MOUNTING

Heavy-duty 16-gauge galvanized steel mounting frame provides a secure and quick installation, and allows enough access room for water stop, electrical junction box, filter and drain connections.

OPTIONS

- Filter Replacement: Model 6428-C pack of twelve 3000-gallon (11356 L) replacement filters.

For more information, visit www.hawsco.com or call (888) 640-4297.



SPECIFICATIONS

Model 2000HSA.8 RIVIVE™ Hydration Station™ motion-activated bottle filling station with architectural roots is recessed wall-mount wheel chair accessible, constructed of heavy duty, Type 304 Stainless Steel with a satin finish, and stainless steel satin finish back panel and louvered intrusion-proof grill. Bottle filler includes a 3000 gallon (11356 L) capacity, Electronic Lifecycle Control filter cartridge, with filter replacement indicator light, LED lighted 12" sensor operated bottle opening with quick 1.1 gpm fill rate and laminar flow with front access for changing filter, smart energy savings feature powers down refrigeration system after 2 hours of non-use, auto purge feature automatically cycles water once every 24 hours, display menu which shows sensor range adjustment, factory reset, software/firmware version readout and error readout, along with bottle counter showing number of bottles saved, and vandal-resistant sensor resists scratching and water droplet fowling. The mounting frame is of heavy gauge, galvanized steel. Provides enough access room for water stop, electrical junction box, filter and drain connections. Field-configurable as either filtered or non-filtered. The refrigeration system is hermetically sealed and delivers a minimum of 8 gph (30.3 L) of water at 50° F (10° C) cooled from 80° F (26.7° C) inlet water at 90° F (32.2° C) ambient. 115 Volts, 60Hz, rated watts: 370, full load amps: 5

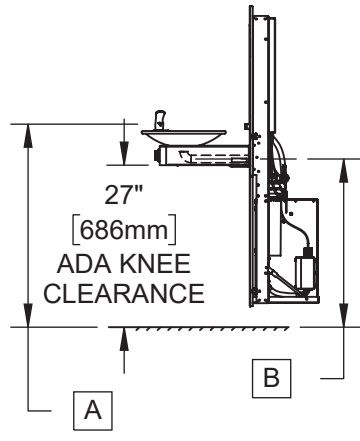
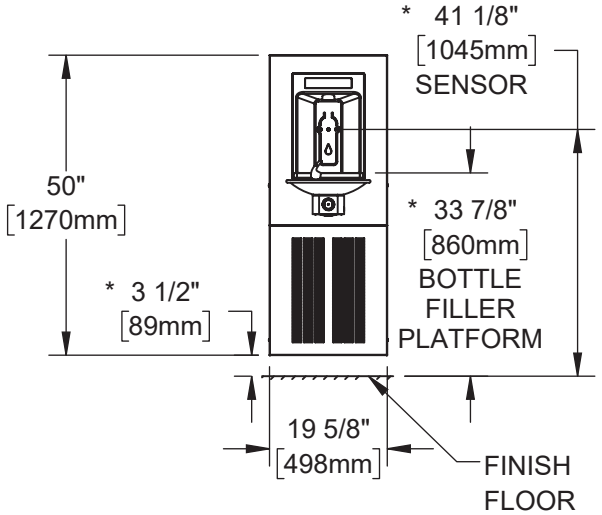
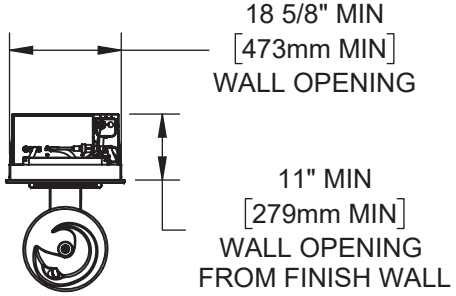
APPLICATIONS

Specifically, this bottle filler may be placed in settings such as: schools, office buildings, and other indoor environments where there is a demand for a chilled water source and/or wheelchair access. Electric water coolers are not recommended or designed for outdoor applications or enclosed pool areas (chlorine). These conditions may void warranty. Model meets all current Federal Regulations for the disabled including those in the Americans with Disabilities Act. Haws manufactures drinking fountains, faucets and electric water coolers to be lead-free by all known definitions including NSF/ANSI/CAN 61-Section 9, NSF/ANSI/CAN 372, California Proposition 65, and the Federal Safe Drinking Water Act. Product is compliant to California Health and Safety Code 116875 (AB 1953-2006), and 116876 (AB 100) "NSF/ANSI/CAN 61: Q ≤ 1". Haws electric water coolers comply with ARI Standard 1010 and ANSI A117.1, and are listed by Underwriter Laboratories to U.S. and Canadian standards.

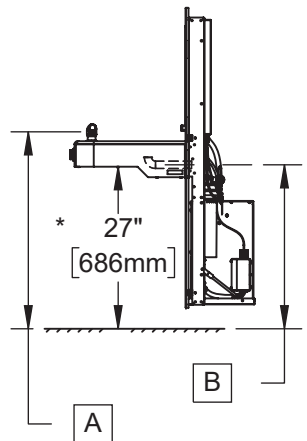


NOTES:
 1. HOLD ROUGH-IN DIMENSIONS ±1/4" (6.4mm).
 2. WHEN INSTALLING THIS UNIT, LOCAL, STATE, OR FEDERAL CODES SHOULD BE ADHERED TO. FOR CHILD-HEIGHT INSTALLATIONS ON 1107 MODELS, REDUCE DIMENSIONS MARKED (*) BY 3" [76mm]. INSTALL A TRAP IN THE WASTE LINE AND A SCREWDRIVER STOP IN THE SUPPLY LINE IF REQUIRED.

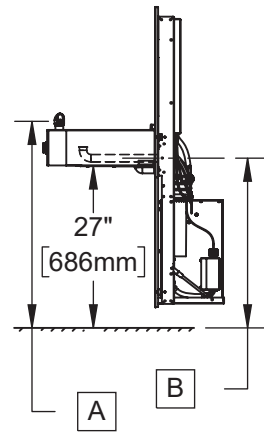
	A	B	
FOUNTAIN MODELS	BUBBLER HEIGHT	DRAIN HEIGHT	WASTE BEND SIZE
1001/1011	33 13/16" [858mm]	28" [711mm]	1-1/4"
1107/1117	*32 13/16" [834mm]	*27 5/16" [694mm]	1-1/4"
1109/1119	34 7/16" [875mm]	28 1/4" [718mm]	1-1/4"



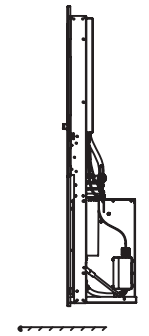
1001HSA.8



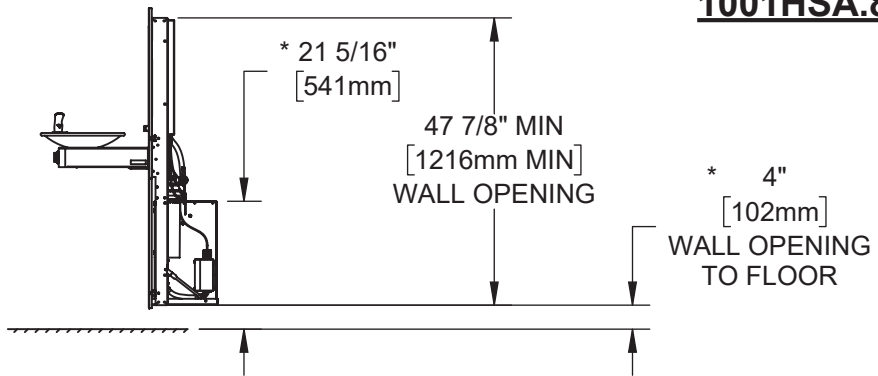
1107HSA.8



1109HSA.8

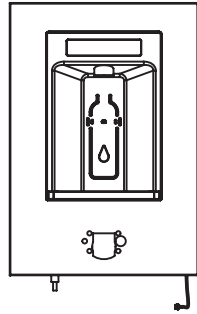


2000HSA.8

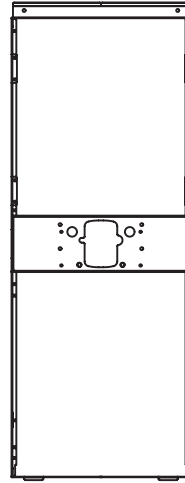


1455 KLEPPE LANE
 SPARKS, NEVADA 89431
 (775) 359-4712 FAX (775) 359-7424
 E-MAIL: HAWS@HAWS.CO.COM
 WEBSITE: WWW.HAWS.CO.COM

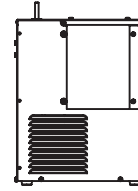
ECN: 6000	REV. ECN: 6000	BY: DHP	MODEL(S) 1X0XHSA.8 & 2000HSA.8, SINGLE AND NO FOUNTAIN MODELS, CHILLED	PART NUMBER 0510002218.D
DRAWN: DHP	DATE: 12/15/22	CHKD: DHP		REVISION 1
APPROVED: JU	DATE: 07/08/24	SCALE: 1:32	DRAWING TYPE: INSTALLATION	SIZE: A SHEET 1 OF 11



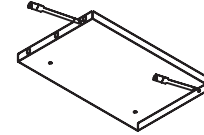
BOTTLE FILLER
(HS3 SHOWN FOR REFERENCE)



FRAME (HS11)



CHILLER
(HCR8)



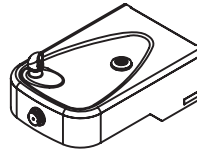
CHILLER TRAY
(0410000904)



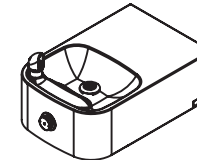
LOWER PANEL
(0410000922)



1001 FOUNTAIN (HS7)



1107 FOUNTAIN (HS8)



1109 FOUNTAIN (HS9)

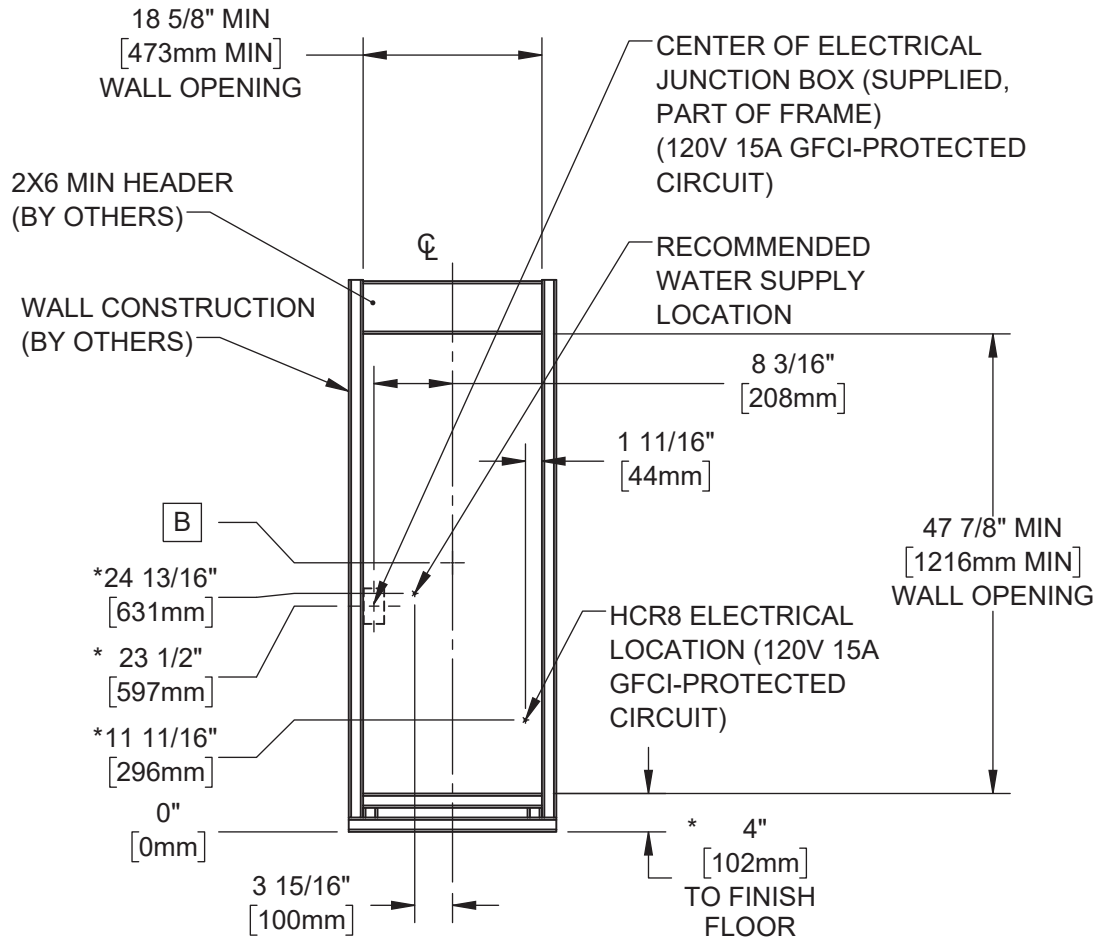
HS MODEL #	BOTTLE FILLER	FRAME	CHILLER	CHILLER TRAY	FOUNTAIN	LOWER PANEL	LOOSE PARTS KIT
1001HSA.8	HS3	HS11	HCR8	0410000904	HS7	0410000922	HS102
1107HSA.8	HS5	HS11	HCR8	0410000904	HS8	0410000922	HS102
1109HSA.8	HS5	HS11	HCR8	0410000904	HS9	0410000922	HS102
2000HSA.8	HS2	HS11	HCR8	0410000904	--	0410000922	HS100



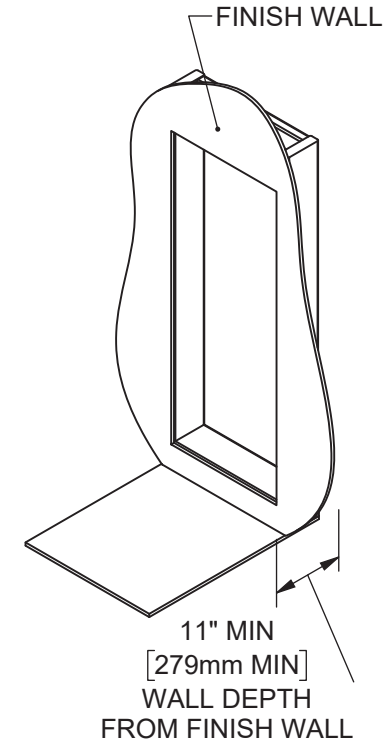
1455 KLEPPE LANE
SPARKS, NEVADA 89431
(775) 359-4712 FAX (775) 359-7424
E-MAIL: HAWS@HAWS.CO.COM
WEBSITE: WWW.HAWS.CO.COM

ECN: 6000	REV. ECN: 6000	BY: DHP	MODEL(S) 1X0XHSA.8 & 2000HSA.8, SINGLE AND NO FOUNTAIN MODELS, CHILLED	PART NUMBER 0510002218.D
DRAWN: DHP	DATE: 12/15/22	CHKD: DHP		REVISION 1
APPROVED: JU	DATE: 07/08/24	SCALE: 1:20	DRAWING TYPE: INSTALLATION	SIZE: A SHEET 2 OF 11


3. ROUGH IN WALL CAVITY WITH DIMENSIONS SHOWN. ROUGH IN ELECTRICAL, WASTE PIPING, AND WATER SUPPLY AS REQUIRED. BE SURE ELECTRICAL, WASTE PIPING, AND WATER SUPPLY IS CLEAR OF THE INSTALLED LOCATION OF THE CHILLER, IN WALL FRAME, AND BOTTLE FILLER.



TYPICAL WALL OPENING



	B	
FOUNTAIN MODELS	DRAIN HEIGHT	WASTE BEND SIZE
1001/1011	28" [711mm]	1-1/4"
1107/1117	*27 5/16" [694mm]	1-1/4"
1109/1119	28 1/4" [718mm]	1-1/4"



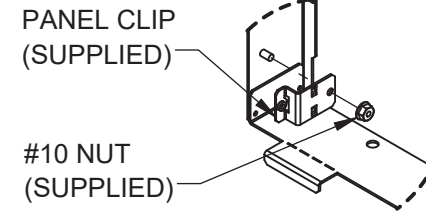
Haws[®]

Since 1906

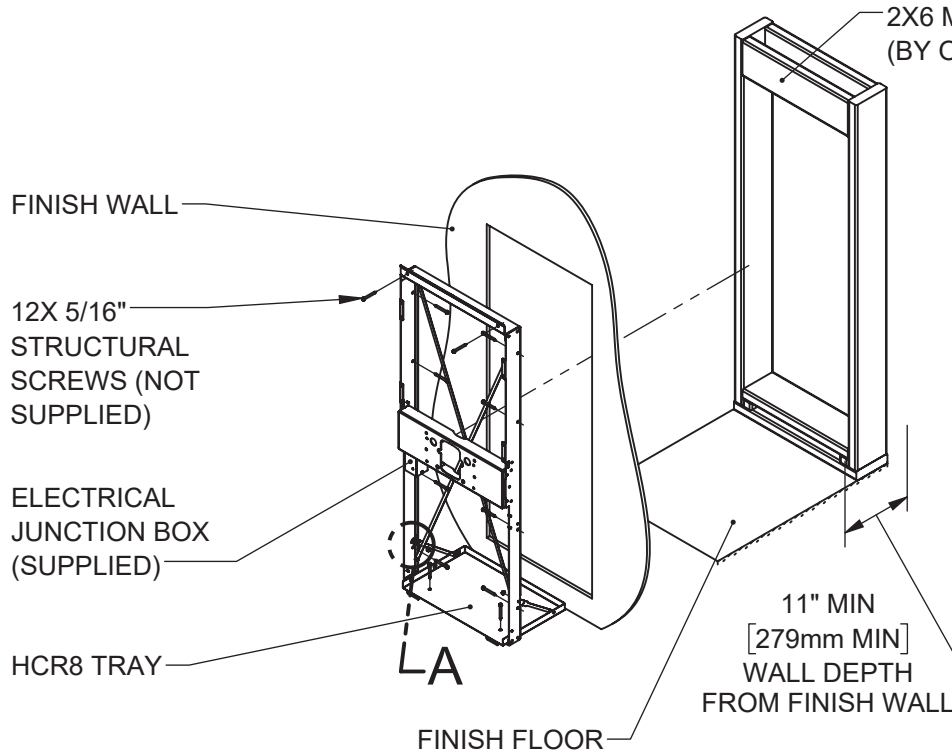
1455 KLEPPE LANE
SPARKS, NEVADA 89431
(775) 359-4712 FAX (775) 359-7424
E-MAIL: HAWS@HAWSO.COM
WEBSITE: WWW.HAWSO.COM

ECN: 6000	REV. ECN: 6000	BY: DHP	MODEL(S)	PART NUMBER
DRAWN: DHP	DATE: 12/15/22	CHKD: DHP	1X0XHSA.8 & 2000HSA.8, SINGLE AND NO FOUNTAIN MODELS, CHILLED	0510002218.D
APPROVED: JU	DATE: 07/08/24	SCALE: 1:20	DRAWING TYPE: INSTALLATION	REVISION: 1
			SIZE: A	SHEET 3 OF 11

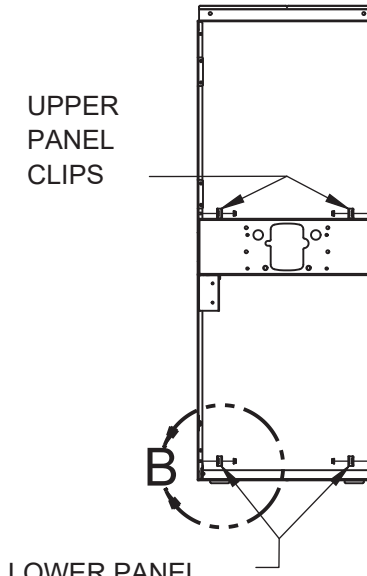
4. INSTALL HCR8 TRAY USING 2X #10 NUTS (SUPPLIED, DETAIL A). INSTALL 4X PANEL CLIPS (DETAIL B) USING #10 NUTS (SUPPLIED).
5. MOUNT FRAME ASSEMBLY INTO WALL CAVITY USING 12X STRUCTURAL SCREWS (NOT SUPPLIED), USE SHIMS AS NEEDED AND ENSURE THE FRAME IS SQUARE.



DETAIL B
PANEL CLIP
INSTALL
(4 PLACES)



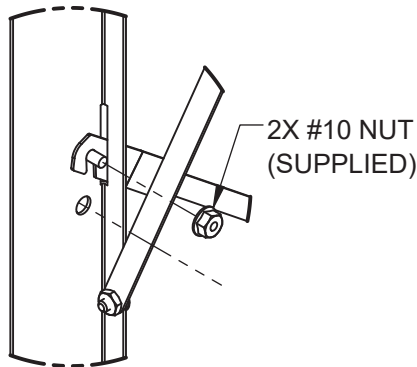
FRAME INSTALLATION




UPPER
PANEL
CLIPS

LOWER PANEL
CLIPS

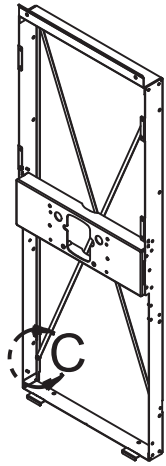
PANEL CLIP INSTALLATION



DETAIL A

		1455 KLEPPE LANE SPARKS, NEVADA 89431 (775) 359-4712 FAX (775) 359-7424 E-MAIL: HAWS@HAWS.CO.COM WEBSITE: WWW.HAWS.CO.COM	
		ECN: 6000 DRAWN: DHP APPROVED: JU	REV. ECN: 6000 DATE: 12/15/22 DATE: 07/08/24
SCALE: 1:20 DRAWING TYPE: INSTALLATION SIZE: A			PART NUMBER: 0510002218.D REVISION: 1 SHEET 4 OF 11

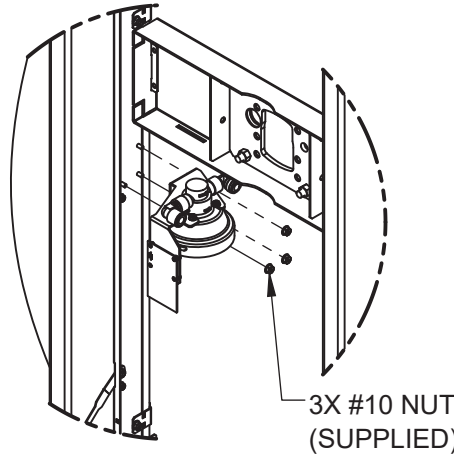
6. REMOVE SHIPPING BRACKETS FROM FRAME (DETAIL C).
7. INSTALL FILTER HEAD USING 3X SUPPLIED #10 NUTS (DETAIL D).
8. (1001HSA.8 ONLY) INSTALL 1001 DRINKING FOUNTAIN ADAPTER USING 2X SUPPLIED 3/8" NUTS (DETAIL E). ENSURE THE CORRECT ORIENTATION OF THE ADAPTER PLATE, "FRONT" IS PRINTED ON THE ADAPTER PLATE AND SHOULD BE ORIENTED TOWARDS THE FINISH WALL.



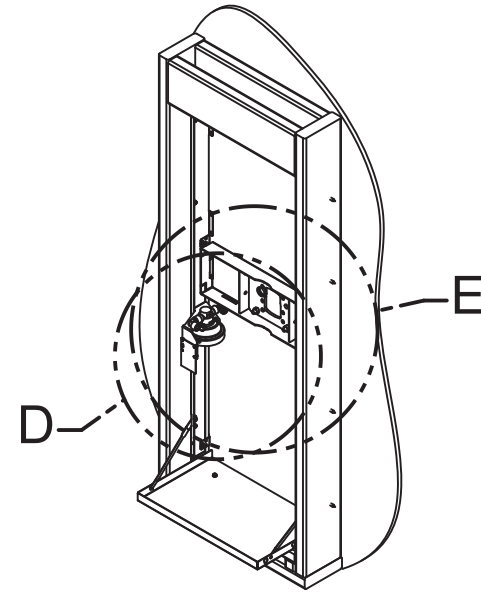
REMOVE SHIPPING
CROSS BRACING

DETAIL C
(4 PLACES)

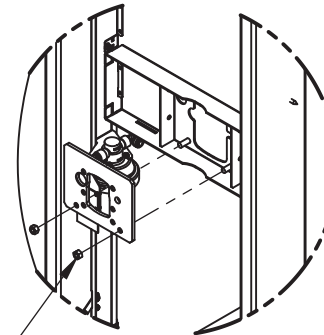
**SHIPPING CROSS
BRACE REMOVAL**



DETAIL D
FILTER/STRAINER HEAD INSTALL
(ALL MODELS)



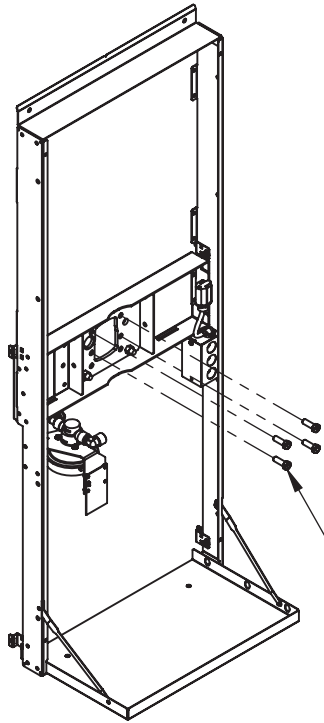
REAR VIEW



DETAIL E
1001 FOUNTAIN ADAPTER PLATE (1001/1011
MODELS ONLY)

			1455 KLEPPE LANE SPARKS, NEVADA 89431 (775) 359-4712 FAX (775) 359-7424 E-MAIL: HAWS@HAWS.CO.COM WEBSITE: WWW.HAWS.CO.COM	
			ECN: 6000 DRAWN: DHP APPROVED: JU	REV. ECN: 6000 DATE: 12/15/22 DATE: 07/08/24
SCALE: 1:20 DRAWING TYPE: INSTALLATION SIZE: A			SHEET 5 OF 11	

9. INSTALL 4X 3/8" DRINKING FOUNTAIN BOLTS (SUPPLIED) FROM THE BACK SIDE OF THE FRAME (MODELS WITH FOUNTAINS ONLY).
10. HANG THE BOTTLE FILLER FROM THE TOP OF THE FRAME AND ALIGN THE PANEL SO THE 3/8" DRINKING FOUNTAIN BOLTS PROTRUDE THROUGH THE PANEL IF PRESENT. INSTALL THE 2X #8 PANEL SCREWS (SUPPLIED) ON EITHER SIDE OF THE BOTTLE FILLER PANEL.
11. CONNECT THE FILTER CABLE (RIGHT SIDE OF THE BOTTLE FILLER) TO THE FILTER TRACKING BOARD.



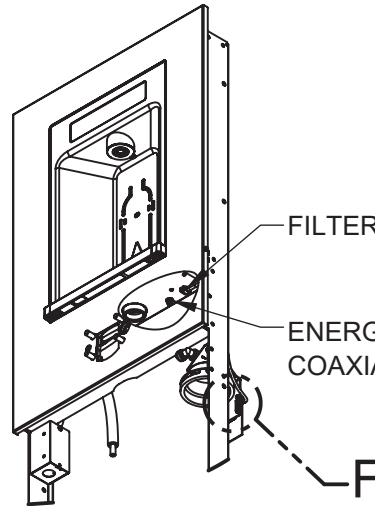
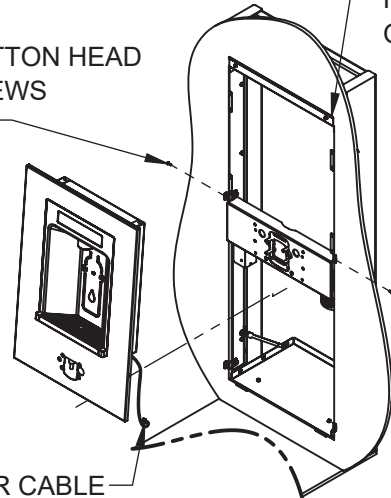
4X DRINKING FOUNTAIN BOLTS (SUPPLIED). USE WASHERS (SUPPLIED) UNDER HEAD OF BOLTS FOR 1107/1117 AND 1109/1119 MODELS

REAR VIEW

2X #8-32 BUTTON HEAD PANEL SCREWS (SUPPLIED)

FILTER CABLE

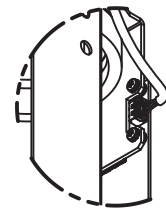
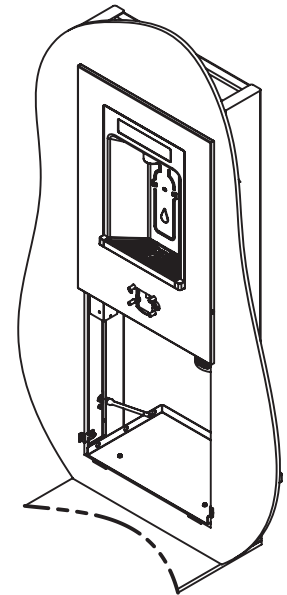
HANG BOTTLE FILLER FROM TOP OF FRAME



FILTER CABLE

ENERGY SAVINGS COAXIAL RECEPTACLE

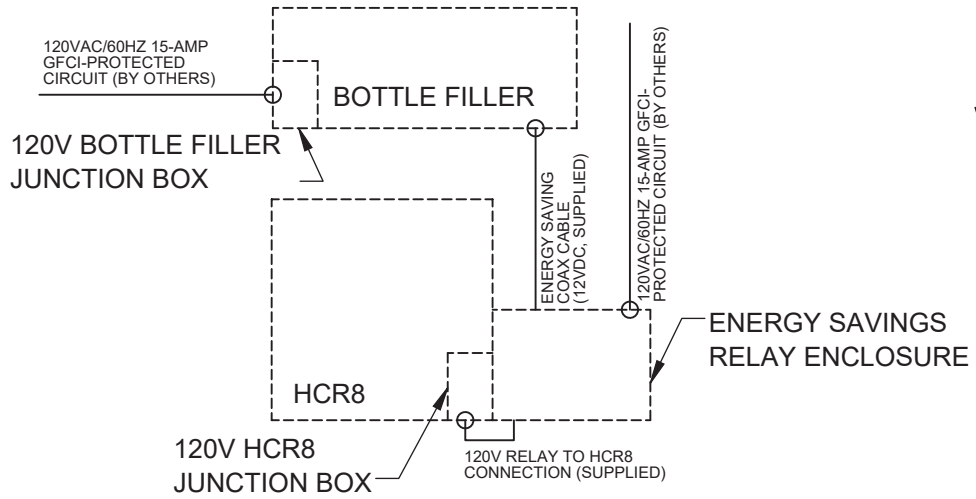
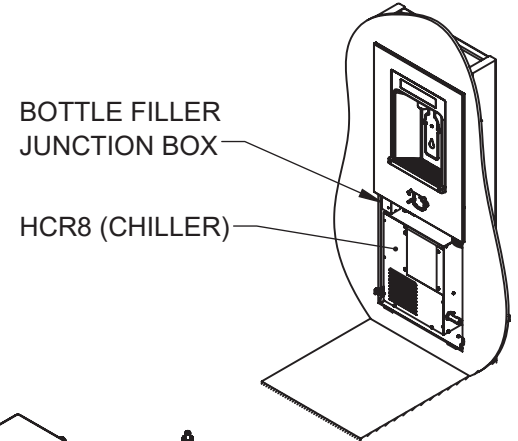
F



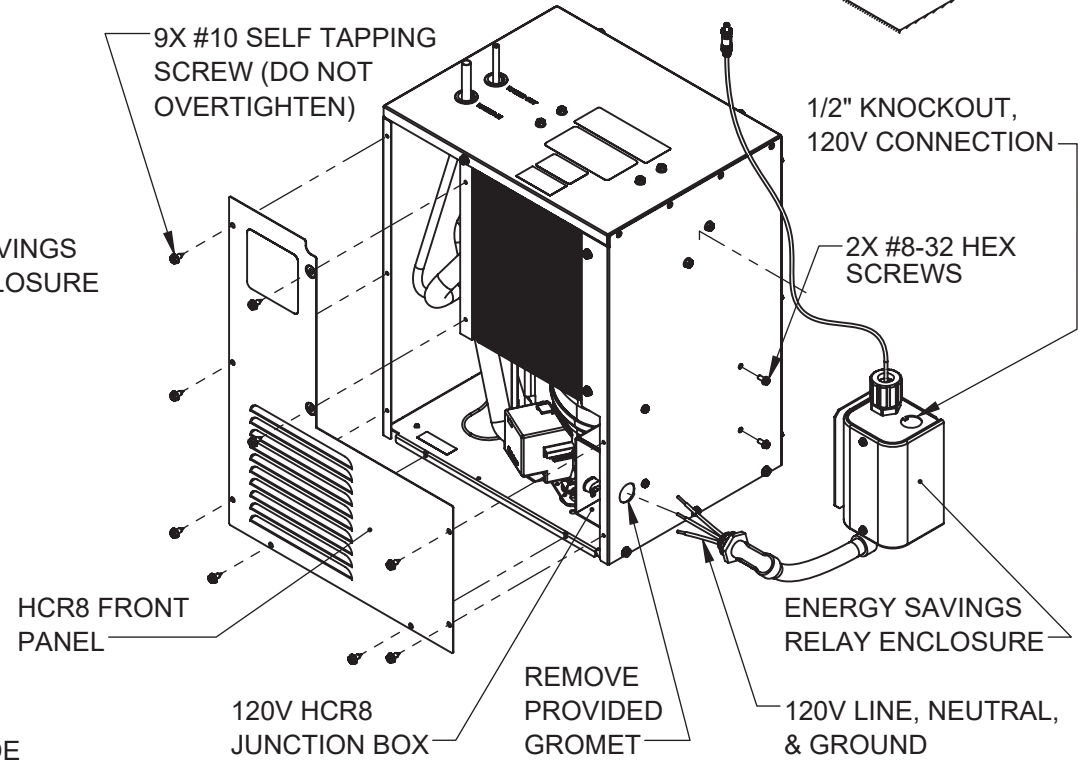
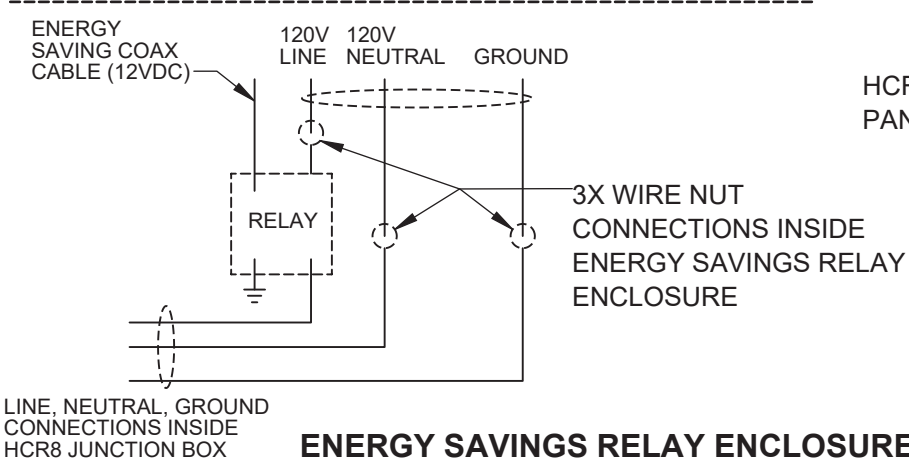
DETAIL F
FILTER TRACKING ELECTRICAL CONNECTION

 Haws Since 1906		1455 KLEPPE LANE SPARKS, NEVADA 89431 (775) 359-4712 FAX (775) 359-7424 E-MAIL: HAWS@HAWS.CO.COM WEBSITE: WWW.HAWS.CO.COM	
		ECN: 6000 REV. ECN: 6000 DRAWN: DHP APPROVED: JU	BY: DHP DATE: 12/15/22 DATE: 07/08/24
SCALE: 1:14		DRAWING TYPE: INSTALLATION	
SIZE: A		SHEET 6 OF 11	

- NOTE:** STEPS 12-15 CAN BE PERFORMED LATER IN INSTALLATION IF DESIRED.
- NOTE:** THE BOTTLE FILLER AND HCR8 CHILLER CAN BE SERVICED BY A SINGLE 15AMP GFCI-PROTECTED CIRCUIT IF DESIRED.
- PARTIALLY INSTALL 2X #8 SCREWS (SUPPLIED) INTO RIGHT SIDE OF HCR8 AND HANG THE ENERGY SAVINGS RELAY ENCLOSURE. COMPLETELY TIGHTEN THE 2X #8-32 HEX SCREWS USING A 1/4" OPEN OR BOX END WRENCH TO SECURE THE ENERGY SAVINGS RELAY ENCLOSURE TO THE HCR8.
 - REMOVE THE FRONT PANEL OF THE HCR8 TO ACCESS THE INTERNAL, 120V JUNCTION BOX. REMOVE THE PROVIDED GROMMET, AND HAVE AN ELECTRICIAN CONNECT THE LOOSE LINE, NEUTRAL, AND GROUND CABLES PROVIDED WITH THE ENERGY SAVINGS RELAY ENCLOSURE TO THE RESPECTIVE LINE, NEUTRAL, AND GROUND CONNECTIONS INSIDE THE HCR8 JUNCTION BOX. REPLACE THE HCR8 FRONT PANEL.
 - REMOVE THE 2X COVER SCREWS FOR THE ENERGY SAVINGS RELAY ENCLOSURE AND REMOVE COVER. HAVE AN ELECTRICIAN CONNECT A 120VAC/60HZ 5-AMP GFCI-PROTECTED CIRCUIT TO THE RESPECTIVE LINE, NEUTRAL, AND GROUND CONNECTIONS INSIDE THE ENCLOSURE VIA ONE OF THE AVAILABLE 1/2" KNOCKOUTS.
 - HAVE AN ELECTRICIAN CONNECT A 120VAC/60HZ 15-AMP GFCI-PROTECTED CIRCUIT TO THE RESPECTIVE LINE, NEUTRAL, AND GROUND CONNECTIONS INSIDE THE BOTTLE FILLER JUNCTION BOX VIA ONE OF THE AVAILABLE 1/2" KNOCKOUTS.



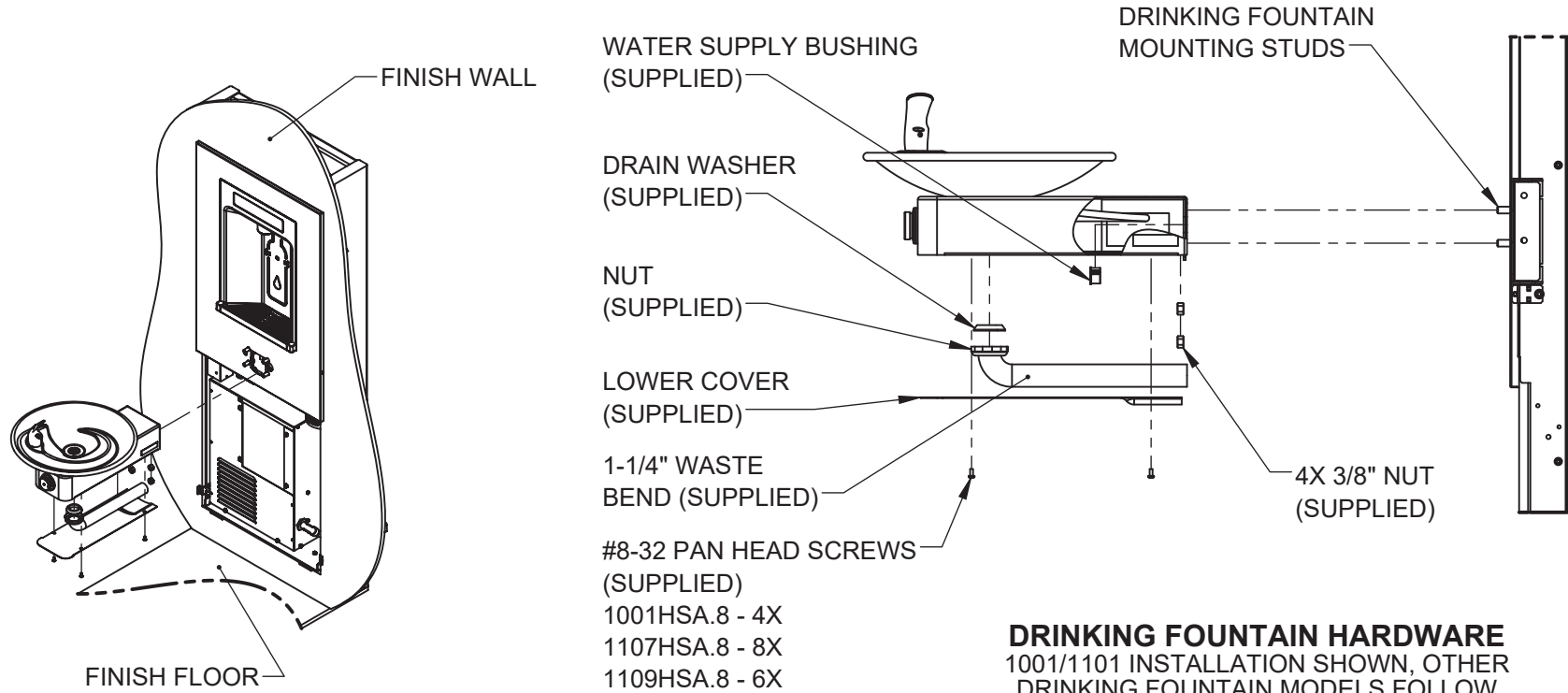
ELECTRICAL WIRING OVERVIEW



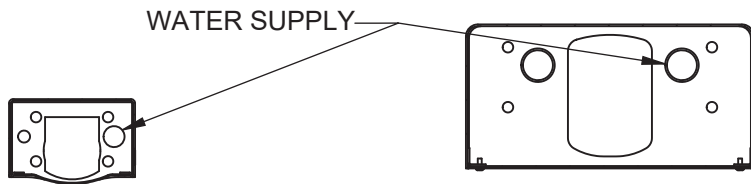
1455 KLEPPE LANE
SPARKS, NEVADA 89431
(775) 359-4712 FAX (775) 359-7424
E-MAIL: HAWS@HAWSO.COM
WEBSITE: WWW.HAWSO.COM

ECN: 6000	REV. ECN: 6000	BY: DHP	MODEL(S): 1X0XHSA.8 & 2000HSA.8, SINGLE AND NO FOUNTAIN MODELS, CHILLED	PART NUMBER: 0510002218.D
DRAWN: DHP	DATE: 12/15/22	CHKD: DHP		REVISION: 1
APPROVED: JU	DATE: 07/08/24	SCALE: 1:20	DRAWING TYPE: INSTALLATION	SHEET 7 OF 11

16. MOUNT THE DRINKING FOUNTAIN TO THE PROTRUDING 3/8" STUDS FROM STEP 9. INSTALL 4X 3/8" NUTS (SUPPLIED) PER DRINKING FOUNTAIN AND TIGHTEN FULLY (25 LB-FT).
17. INSTALL THE WASTE BEND (SUPPLIED), CUT TO LENGTH AS REQUIRED. REFER TO SHEET 3 FOR DRAIN HEIGHTS FOR EACH MODEL. INSTALL THE WATER SUPPLY BUSHING (SUPPLIED) INTO THE CIRCULAR OPENING IN THE MOUNTING PLATE OF THE DRINKING FOUNTAIN. SET LOWER COVER AND #8 PAN HEAD SCREWS ASIDE, THESE WILL BE INSTALLED ONCE THE WATER SUPPLY PLUMBING IS COMPLETE.



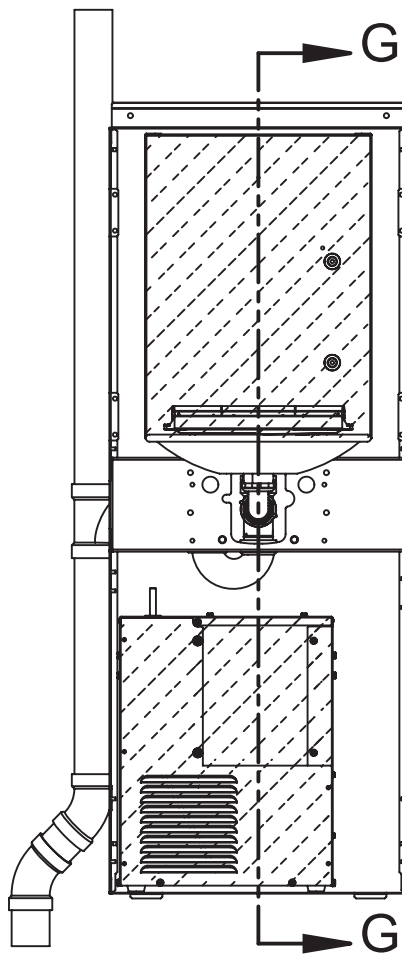
DRINKING FOUNTAIN HARDWARE
 1001/1101 INSTALLATION SHOWN, OTHER DRINKING FOUNTAIN MODELS FOLLOW THE SAME INSTALLATION STEPS AND CONTAIN SIMILAR PARTS.



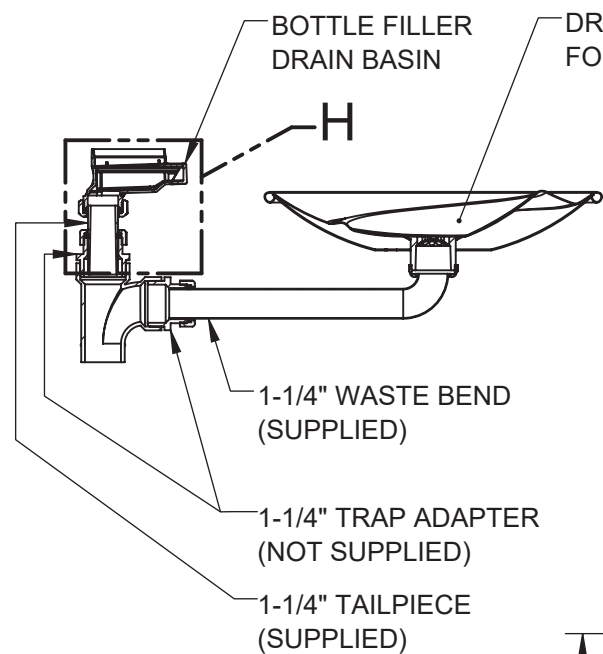
**1001/1101
HOLE
PATTERN**

**1107/1117 &
1109/1119 HOLE
PATTERN**

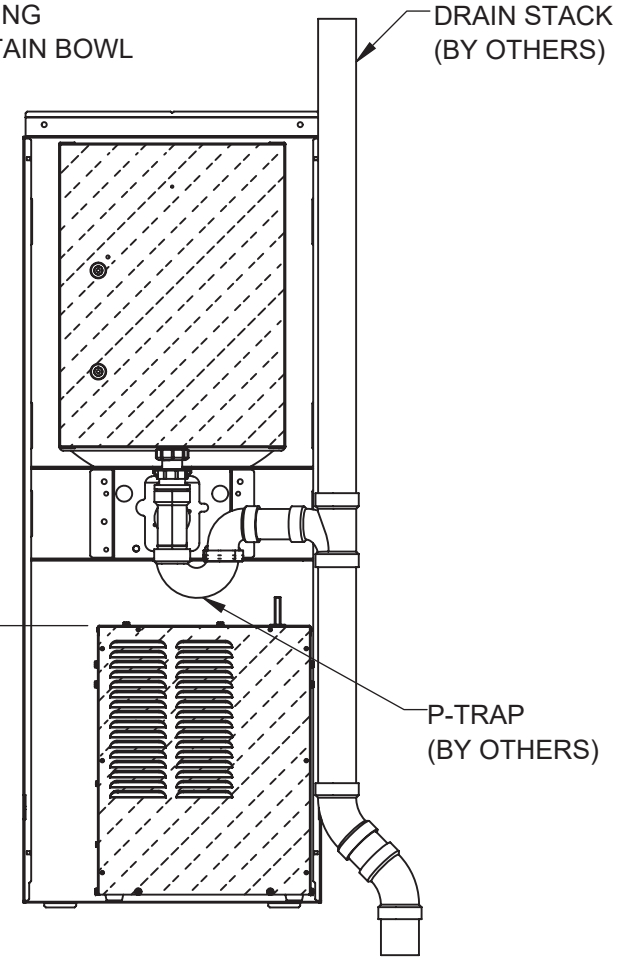
		Haws Since 1906		1455 KLEPPE LANE SPARKS, NEVADA 89431 (775) 359-4712 FAX (775) 359-7424 E-MAIL: HAWS@HAWSO.COM WEBSITE: WWW.HAWSO.COM	
				ECN: 6000 DRAWN: DHP APPROVED: JU	REV. ECN: 6000 DATE: 12/15/22 DATE: 07/08/24
SCALE: 1:20		DRAWING TYPE: INSTALLATION		SIZE: A SHEET 8 OF 11	



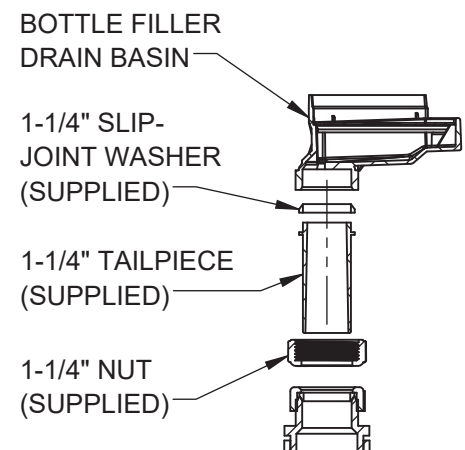
FRONT VIEW
(SOME COMPONENTS HIDDEN FOR CLARITY)



SECTION G-G
(ENLARGED)



BACK VIEW
(SOME COMPONENTS HIDDEN FOR CLARITY)



DETAIL H
(EXPLODED VIEW)

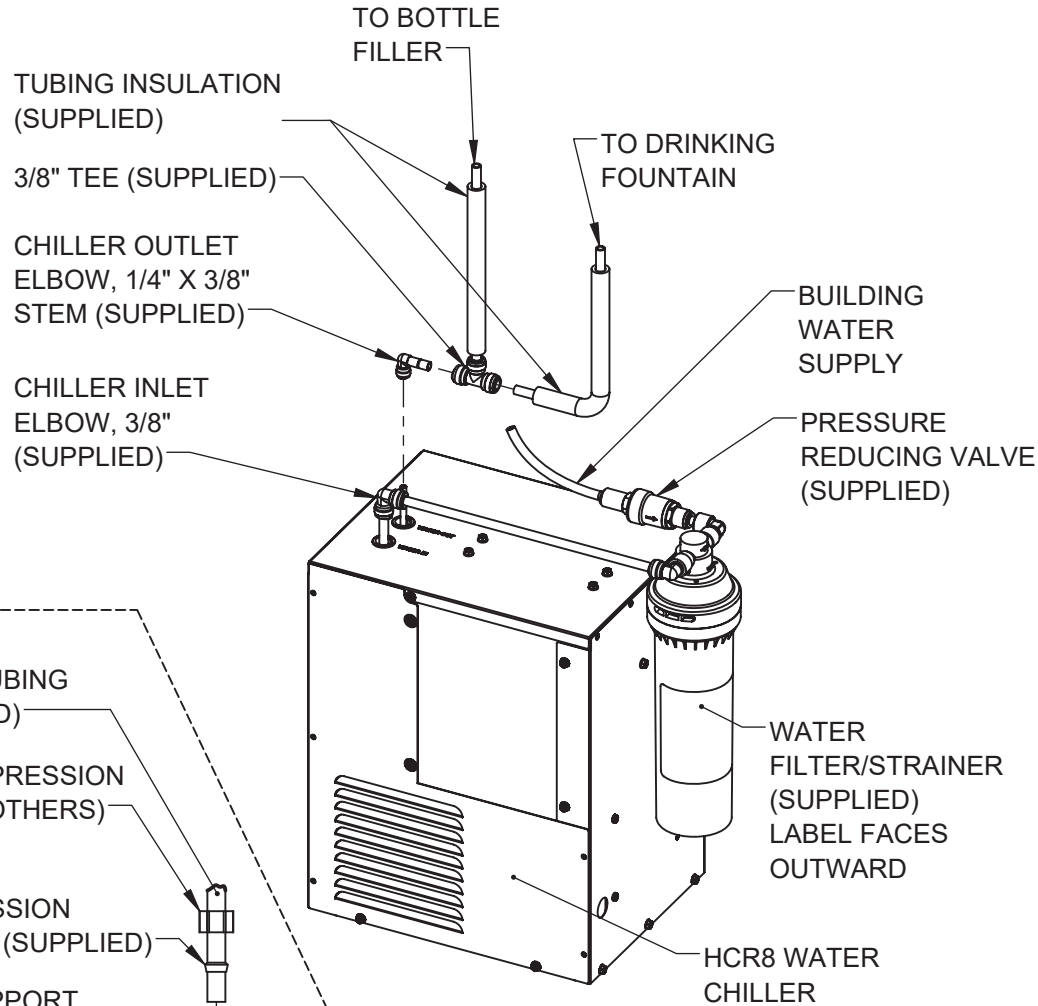
21 5/16"
[541mm]
TO FINISH FLOOR

FOR REFERENCE ONLY

DRAIN STACK SHOWN AS REFERENCE ONLY. LOCAL, STATE, OR FEDERAL CODES SHOULD BE ADHERED TO FOR PROPER DRAIN INSTALLATION.

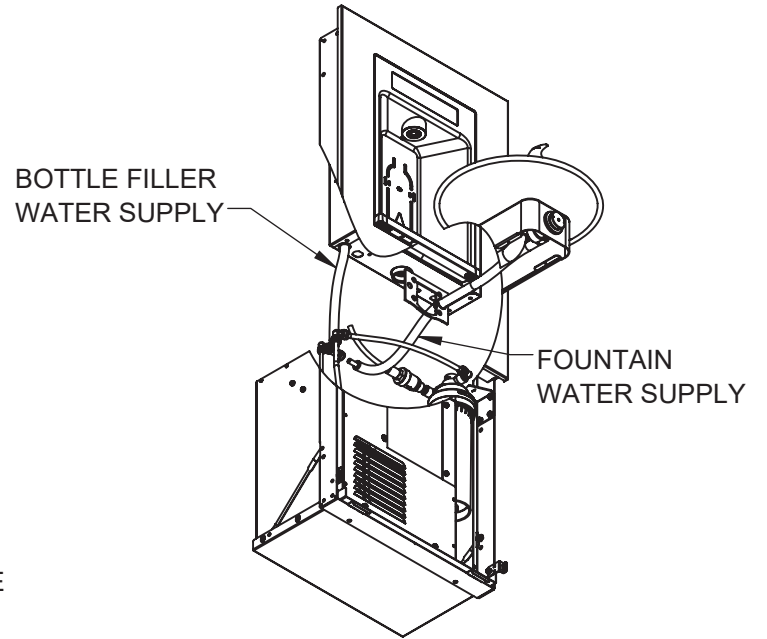
		1455 KLEPPE LANE SPARKS, NEVADA 89431 (775) 359-4712 FAX (775) 359-7424 E-MAIL: HAWS@HAWS.CO.COM WEBSITE: WWW.HAWS.CO.COM	
		ECN: 6000 DRAWN: DHP APPROVED: JU	REV. ECN: 6000 DATE: 12/15/22 DATE: 07/08/24
SCALE: 1:12 DRAWING TYPE: INSTALLATION SIZE: A			PART NUMBER: 0510002218.D REVISION: 1 SHEET 9 OF 11

18. INSTALL 3/8" TUBING AS SHOWN. ALL TUBING DOWNSTREAM OF THE HCR8 CHILLER SHOULD BE INSTALLED WITH TUBING INSULATION (SUPPLIED). NOTE DIRECTION OF FLOW ARROWS ON FILTER AND PRESSURE REDUCING VALVE. CUT ALL TUBING AND INSULATION AS REQUIRED. ENSURE TUBING IS CUT SQUARE AND FULLY INSERTED INTO PUSH-TO-CONNECT FITTINGS. MAKE SURE THE POLYETHYLENE WATER TUBES DO NOT CONTACT THE HCR8 CHILLER PANELS. HEAT AND/OR VIBRATIONS FROM THE CHILLER COULD CAUSE DAMAGE TO THE TUBING.

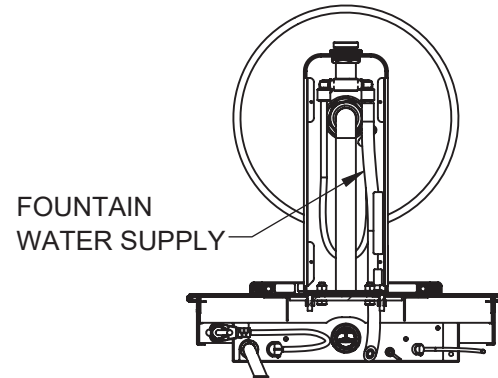


WATERWAY DIAGRAM

WATER SUPPLY CONNECTION



WATERWAY LAYOUT
(SOME COMPONENTS HIDDEN FOR CLARITY)



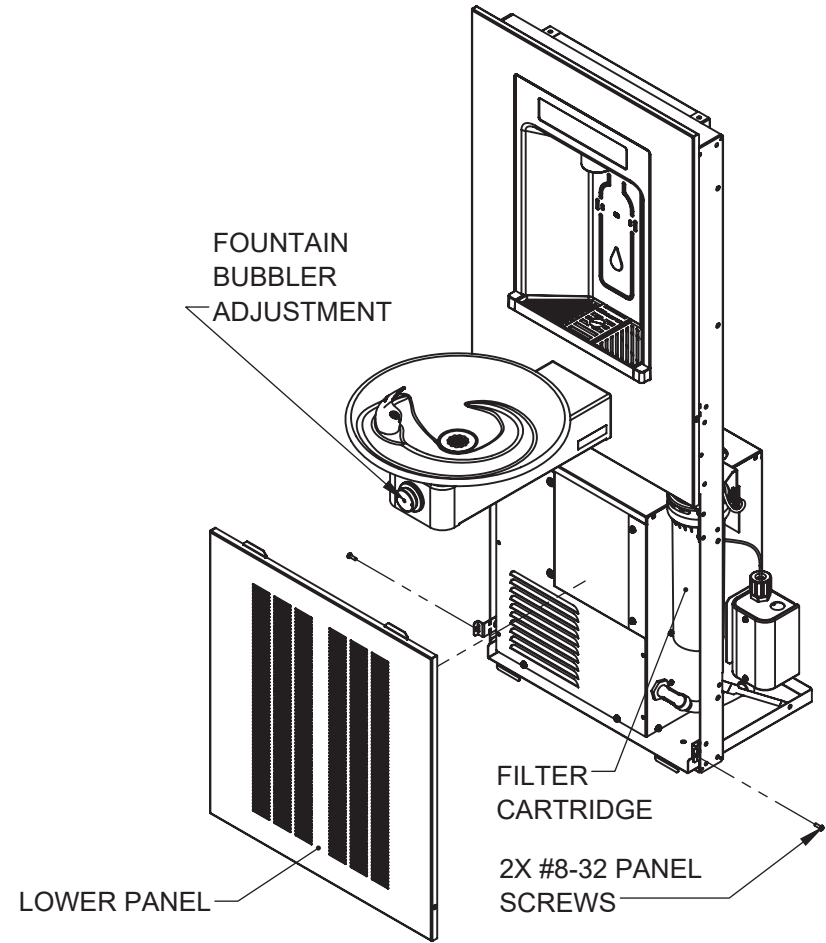
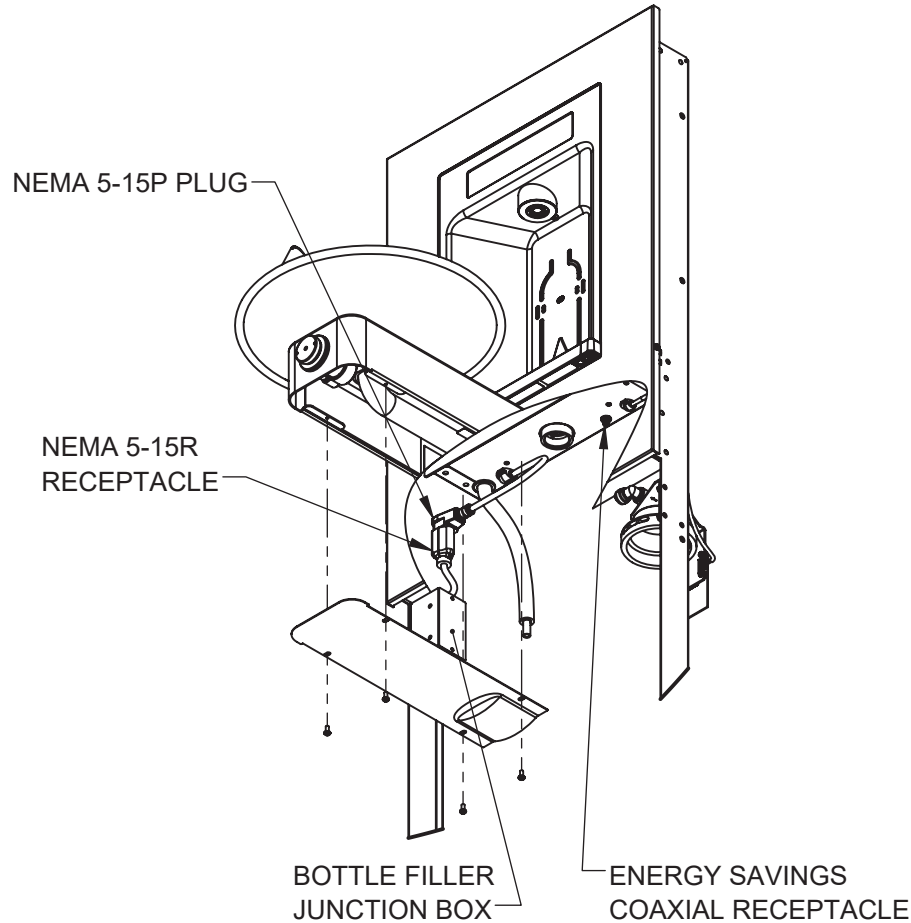
BOTTOM VIEW
(SOME COMPONENTS HIDDEN FOR CLARITY)



1455 KLEPPE LANE
SPARKS, NEVADA 89431
(775) 359-4712 FAX (775) 359-7424
E-MAIL: HAWS@HAWS.CO.COM
WEBSITE: WWW.HAWS.CO.COM


ECN: 6000	REV. ECN: 6000	BY: DHP	MODEL(S): 1X0XHSA.8 & 2000HSA.8, SINGLE AND NO FOUNTAIN MODELS, CHILLED	PART NUMBER: 0510002218.D
DRAWN: DHP	DATE: 12/15/22	CHKD: DHP		REVISION: 1
APPROVED: JU	DATE: 07/08/24	SCALE: 1:16	DRAWING TYPE: INSTALLATION	SIZE: A SHEET 10 OF 11

19. CONNECT THE ENERGY SAVINGS RELAY CABLE TO THE ENERGY SAVINGS COAXIAL RECEPTACLE ON THE BOTTLE FILLER.
20. CONNECT THE NEMA 5-15P BOTTLE FILLER PLUG TO THE NEMA 5-15R RECEPTACLE. VERIFY THAT THE BOTTLE FILLER DISPLAY HAS POWERED ON.
21. INSTALL THE FILTER CARTRIDGE INTO THE FILTER HEAD.
22. MOUNT THE LOWER PANEL USING 2X #8 PANEL SCREWS (SUPPLIED).
23. INSTALL DRINKING FOUNTAIN LOWER COVER WITH 4X #8 PAN HEAD SCREWS (SUPPLIED, FOUNTAIN MODELS ONLY).



LOWER PANEL INSTALLATION

ELECTRICAL CONNECTIONS AND DRINKING FOUNTAIN LOWER COVER (SOME COMPONENTS HIDDEN FOR CLARITY)

 Haws Since 1906		1455 KLEPPE LANE SPARKS, NEVADA 89431 (775) 359-4712 FAX (775) 359-7424 E-MAIL: HAWS@HAWS.CO.COM WEBSITE: WWW.HAWS.CO.COM	
		ECN: 6000 DRAWN: DHP APPROVED: JU	REV. ECN: 6000 DATE: 12/15/22 DATE: 07/08/24
SCALE: 1:12 DRAWING TYPE: INSTALLATION SIZE: A			PART NUMBER: 0510002218.D REVISION: 1 SHEET 11 OF 11