

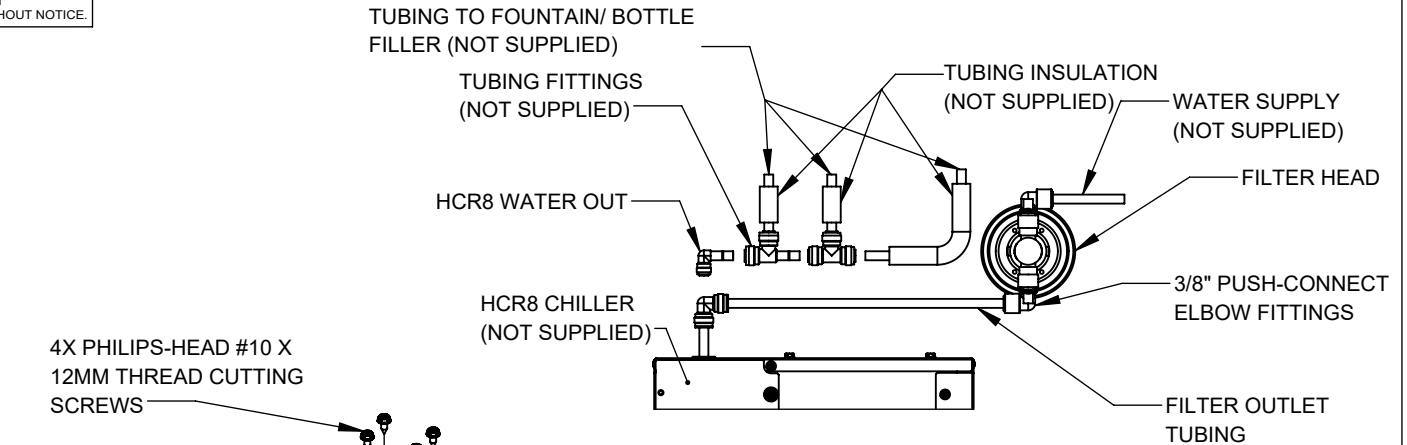
## INSTRUCTIONS

**STEP 1:** USE SCREWS (NOT SUPPLIED) TO MOUNT FILTER BRACKET TO VERTICAL SURFACE THAT IS ACCESSIBLE FOR SERVICING FILTER AND REPLACEMENT.

**STEP 2:** USE 4X PHILLIPS-HEAD #10 X 12MM THREAD CUTTING SCREWS TO SECURE FILTER HEAD TO FILTER BRACKET. ORIENT FLOW ARROW ACCORDINGLY.

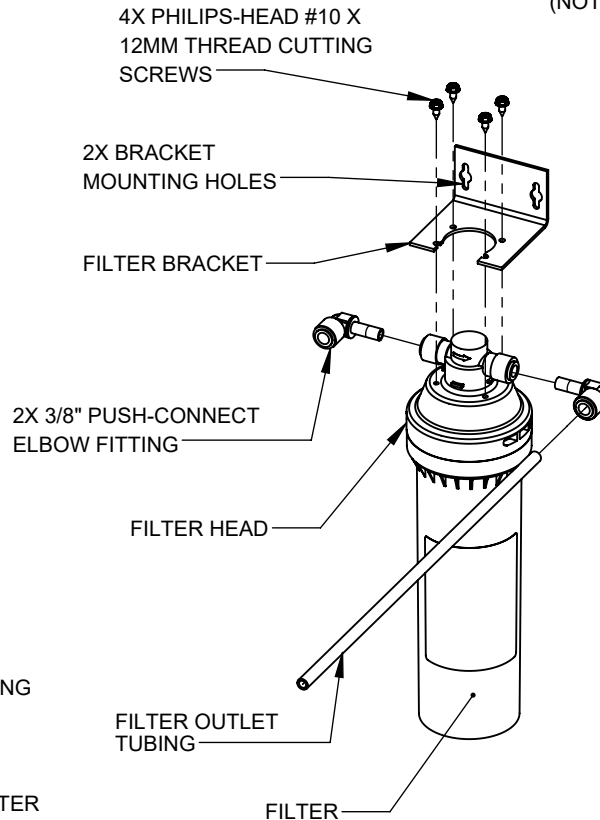
**STEP 3:** INSERT 2X 3/8" PUSH-CONNECT ELBOW FITTINGS INTO FILTER HEAD. INSERT FULLY.

**STEP 4:** INSERT FILTER INTO FILTER HEAD ACCORDING TO NOTCHES ON INSIDE OF HEAD AND TOP OF FILTER AND MAKE 1/4 TURN UNTIL FILTER IS SECURE.

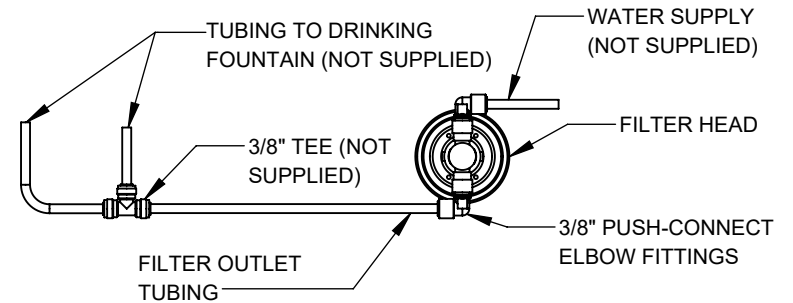


## TYPICAL WATERWAY INSTALL WITH CHILLING UNIT

EXTRA COMPONENTS NOT INCLUDED



## FILTER KIT INSTALL



## TYPICAL WATERWAY INSTALL WITHOUT CHILLER

EXTRA COMPONENTS NOT INCLUDED



1455 KLEPPE LANE  
SPARKS, NEVADA 89431  
(775) 359-4712 FAX (775) 359-7424  
E-MAIL: HAWS@HAWSO.COM  
WEBSITE: WWW.HAWSO.COM

ECN: 6015	REV. ECN: 6060	BY: JG	MODEL(S) 6480	PART NUMBER 0510002217.D
DRAWN: JG	DATE: 04/23/24	CHKD: JG		REVISION 2
APPROVED: RH	DATE: 06/27/24	SCALE: 1:12	DRAWING TYPE: INSTALLATION	SIZE: A

