

FEATURES & BENEFITS

CONSTRUCTION

18 gauge Type 304 stainless Steel swirl design bowl, 14 gauge Type 304 Stainless Steel bracket, and a vandal-resistant bottom plate provides a long lasting unit with added peace of mind.

BUBBLER

Polished chrome-plated brass bubbler head with integral laminar flow prevents splashing while providing a superior flow pattern. The integral 11/16" dia. basin shank and stainless anti-rotation roll pin for vandal resistance strength. Shielded, angled stream opening provides a steady source of drinking water at .45 gpm.

DRINKING FOUNTAIN VALVE

The push-button activated valve assembly allows for front access stream adjustment as well as cartridge and strainer access. The valve works at an operating pressure range of 30 to 90 psi (2.1 to 6.2 bar).

VANDAL RESISTANT

The bubbler head, push button, round bowl, drain strainer and bottom plate are locked in place, discouraging unwanted vandal tampering.

MOUNTING

Heavy-duty 16-gauge galvanized steel mounting frame with welded-in heavy-duty 10 gauge mounting plate with pre-punched mounting holes. Further convenience is given to the chiller with the integral fold-out shelf.

QUALITY CONTROL

Pre-built fountain is pressure tested to ensure no leaks and proper functionality.

OPTIONS

- Water Filter: Model 6480 filter kit with 3000 gallon carbon block filter, filter head, and mounting bracket.
- Bottle Filler: Model 1920, stainless steel bottle filler can be a stand-alone station, or mounted above Haws 1001 series drinking fountain models.
- Bottle Filler Stand: Model BTL1001, add-on stainless steel stand to place bottle on when 1920 bottle filler is used.

For more information, visit www.hawscow.com or call (888) 640-4297.



SPECIFICATIONS

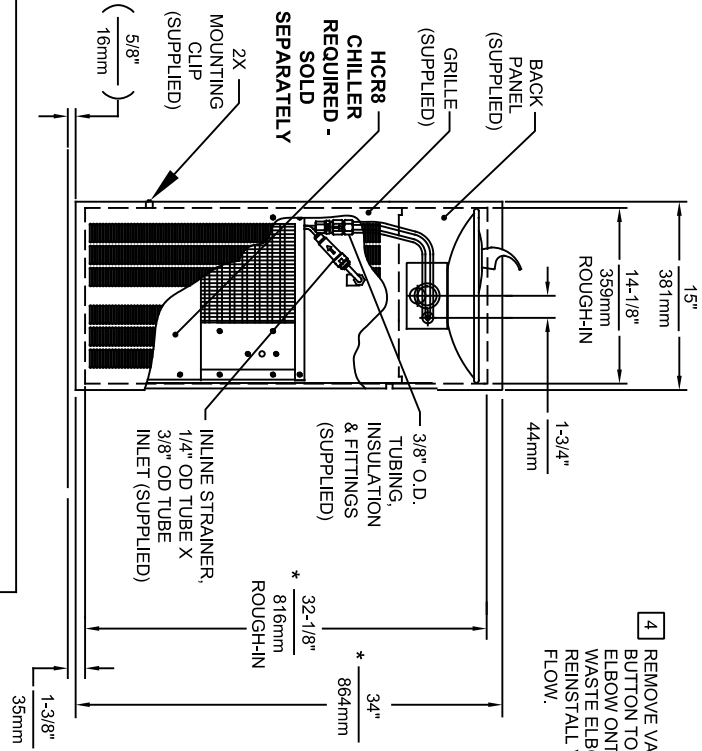
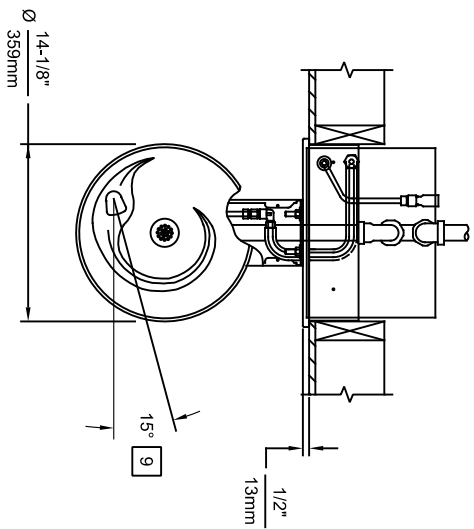
Model 1001.8 ADA electric wall-mounted vandal-resistant water cooler shall include an 18 gauge Type 304 satin stainless steel finish basin with integral swirl design, 14 gauge Type 304 satin stainless steel wall bracket, 100% lead-free waterways, vandal-resistant push-button operated stainless steel valve with front-accessible cartridge and flow adjustment, polished chrome-plated brass vandal-resistant bubbler head with integral laminar anti-squirt flow, chrome-plated brass vandal-resistant waste strainer, vandal-resistant bottom plate, satin stainless steel finish back panel and louvered intrusion-proof grill, and 1-1/4" (3.2 cm) O.D. waste pipe. The refrigeration system is hermetically sealed and delivers a minimum of 8 gph (30.3 L) of water at 50° F (10° C) cooled from 80° F (26.7° C) inlet water at 90° F (32.2° C) ambient. 115 Volts, 60Hz, rated watts: 370, full load amps: 5.

REQUIRES MODELS 1001.8, HCR8 & MTGFR.SM ORDERED SEPARATELY.

APPLICATIONS

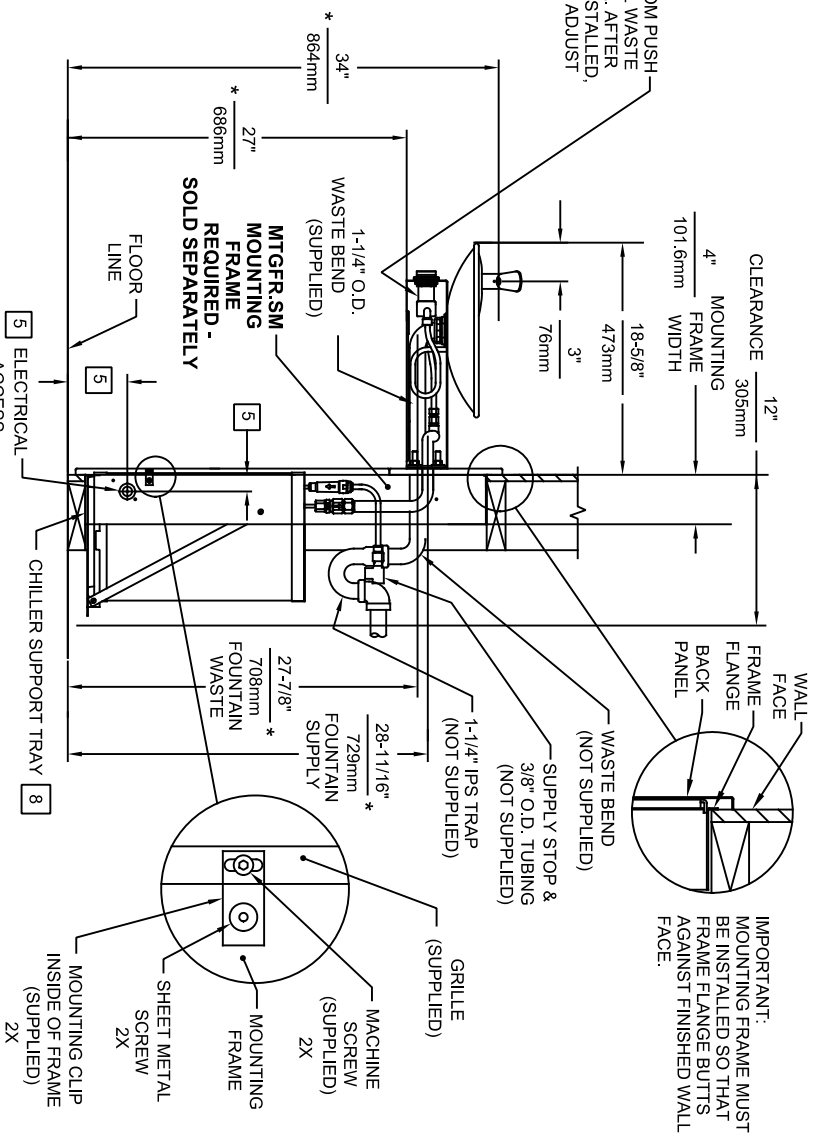
This series is precisely mounted, making it a nice addition to any surrounding. Specifically, this type fountain may be placed in settings such as: schools, office buildings, shopping malls, and other indoor environments. Electric water coolers are not recommended or designed for outdoor applications or enclosed pool areas (chlorine). These conditions may void warranty. Model meets all current Federal Regulations for the disabled including those in the Americans with Disabilities Act. Haws manufactures drinking fountains, faucets and electric water coolers to be lead-free by all known definitions including NSF/ANSI/CAN 61-Section 9, NSF/ANSI/CAN 372, California Proposition 65, and the Federal Safe Drinking Water Act. Product is compliant to California Health and Safety Code 116875 (AB 1953-2006), and 116876 (AB 100) "NSF/ANSI/CAN 61: Q ≤ 1". Haws electric water coolers comply with ARI Standard 1010 and ANSI A117.1, and are listed by Underwriter Laboratories to U.S. and Canadian standards.



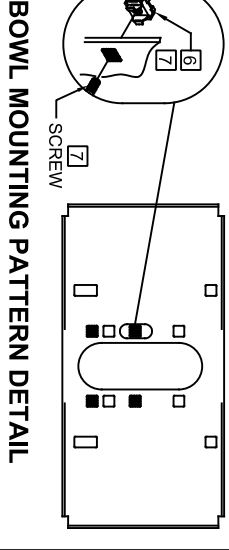


4 REMOVE VALVE FROM PUSH BUTTON TO INSTALL WASTE ELBOW ONTO BOWL. AFTER WASTE ELBOW IS INSTALLED, REINSTALL VALVE & ADJUST FLOW.

- NOTES:**
1. HOLD ROUGH-IN DIMENSIONS $\pm 1/8"$ (3.2mm).
 2. WHEN INSTALLING THIS UNIT, LOCAL, STATE, OR FEDERAL CODES SHOULD BE ADHERED TO. FOR DIMENSIONS (LOCATIONS), WASTE AND SUPPLY REQUIREMENTS OTHER THAN SHOWN, DIMENSIONS MARKED (*) MUST BE ADJUSTED ACCORDINGLY.
 3. INSTALLER MUST PROVIDE TRAP FOR PROPER INSTALLATION.
 4. REFER TO 5874SS OPERATION AND MAINTENANCE MANUAL FOR PUSH BUTTON AND VALVE INSTALLATION/MAINTENANCE INSTRUCTIONS.
 5. REFER TO MTGFR-3M INSTALLATION DRAWING FOR ROUGH-IN DIMENSIONS.
 6. INSERT 5/16"-18 PANEL INSERTS FROM OPPOSITE SIDE AT LOCATIONS SHOWN BY DARKENED HOLES.
 7. FOUNTAIN REMOVAL: FIRST REMOVE SCREWS AND THEN SQUEEZE CLIPS ON NUT RETAINER TO POP OUT.
 8. ALIGN HOLES IN CHILLER SUPPORT TRAY WITH HOLES IN FRAME AND FASTEN WITH #10 SHEET METAL SCREWS.
 9. MAXIMUM ADJUSTABLE RANGE IS 15° FROM PARALLEL TO BACK WALL.



IMPORTANT: MOUNTING FRAME MUST BE INSTALLED SO THAT FRAME FLANGE BUTTS AGAINST FINISHED WALL FACE.



BOWL MOUNTING PATTERN DETAIL

Haws Since 1906		1455 KLEPPE LANE SPARKS, NEVADA, 89431 (775) 359-4712 FAX (775) 359-7424 E-MAIL: HAWS@HAWSCO.COM WEBSITE: WWW.HAWSCO.COM	
ECN NO. REVISED PER BY: JG	MODEL(S)	1001.8	PART NUMBER 0002080246.D
DATE: 07-01-97	CHK'D: JG	SCALE: 1:15	REVISION: 24
RTM	DATE: 02/11/26	DRAWING TYPE: INSTALLATION	SHEET 1 OF 1
APPROVED: FV	SCALE: 1:15	DRAWING TYPE: INSTALLATION	SHEET 1 OF 1

CALLOUT LEGEND	
A	1/4" OD WATER OUTLET
B	3/8" OD WATER INLET
C	TEMPERATURE CONTROL
D	JUNCTION BOX
E	ELECTRICAL WIRING OPENING

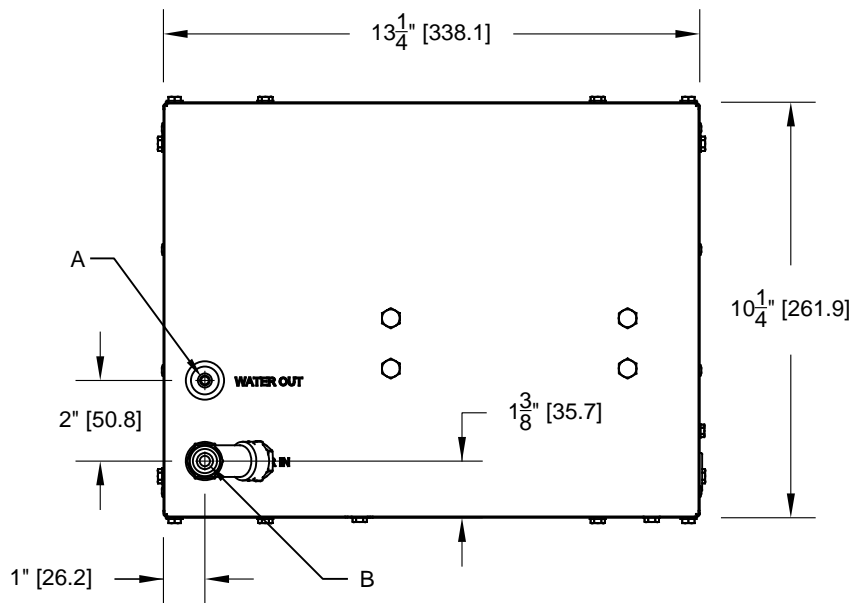


FIG. 2

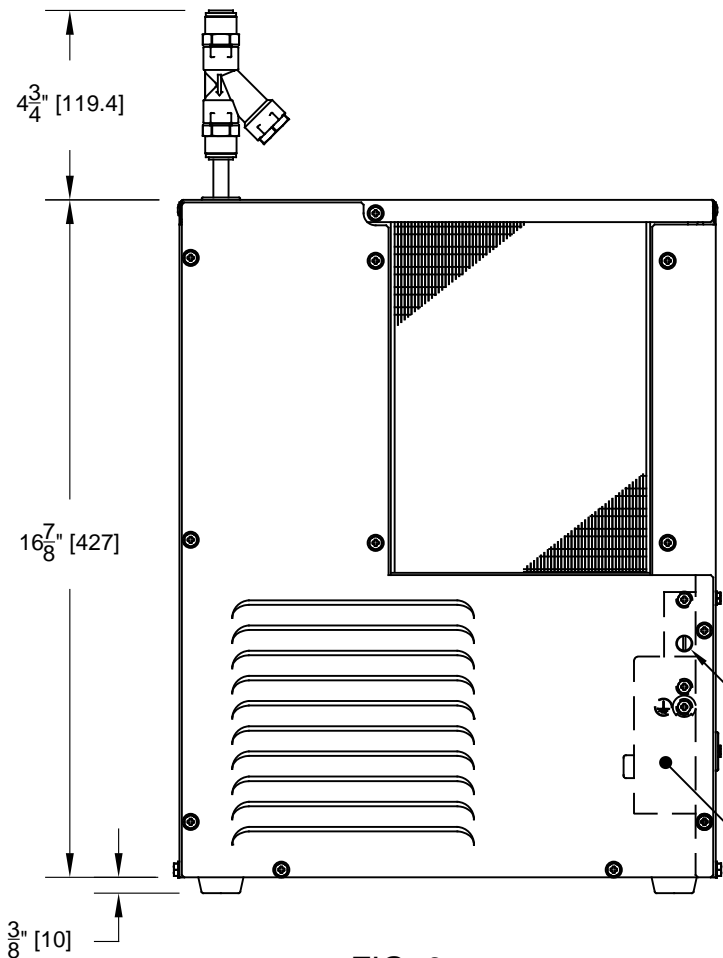


FIG. 3

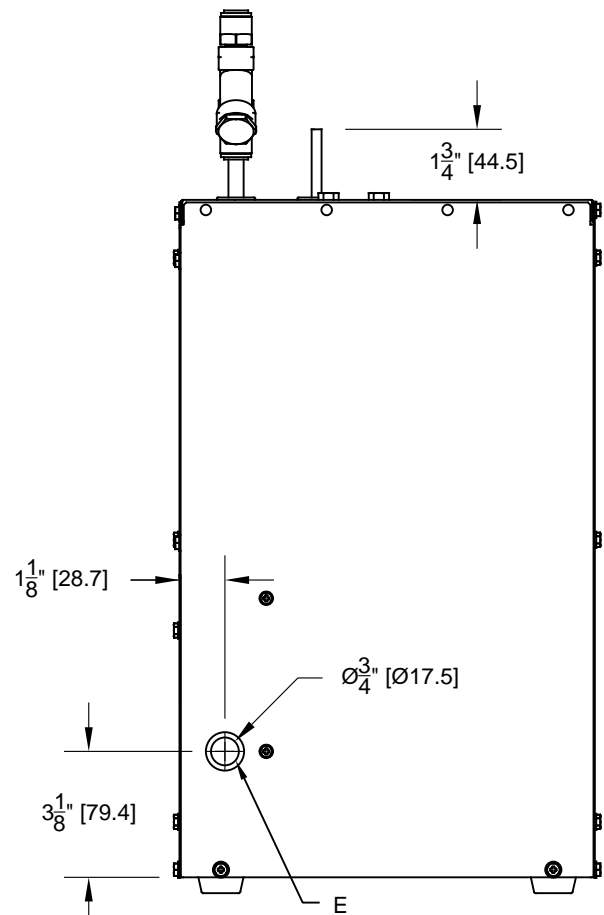


FIG. 4

		Haws [®]		1455 KLEPPE LANE SPARKS, NEVADA 89431 (775) 359-4712 FAX (775) 359-7424 E-MAIL: HAWS@HAWSCO.COM WEBSITE: WWW.HAWSCO.COM	
				ECN NO. 4997 DRAWN VWC APPROVED JL	REVISED PER BY ECN: 5401 DATE 01/25/16 DATE 02/05/19
SCALE: NA		DRAWING TYPE: INSTALLATION		SIZE: A	

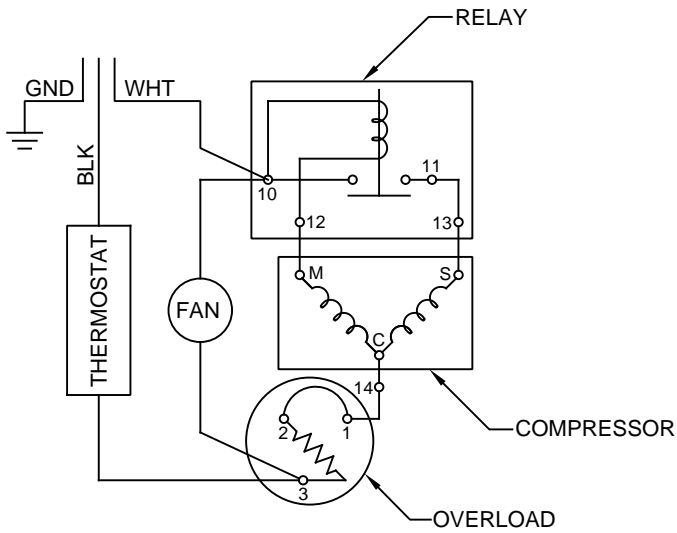


FIG. 5
WIRING DIAGRAM

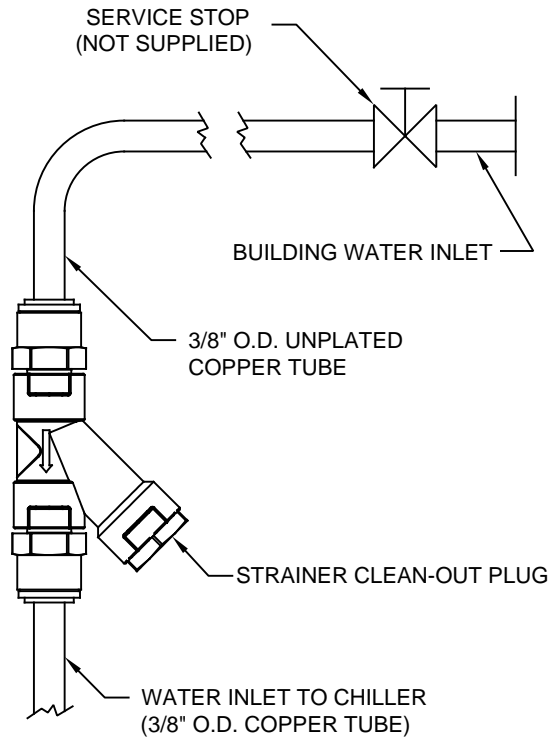
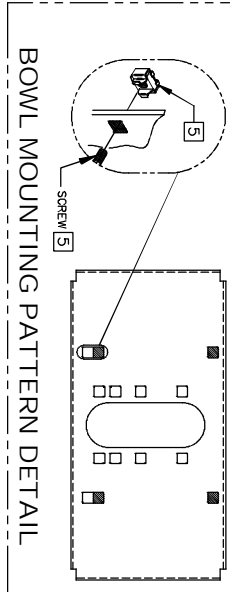
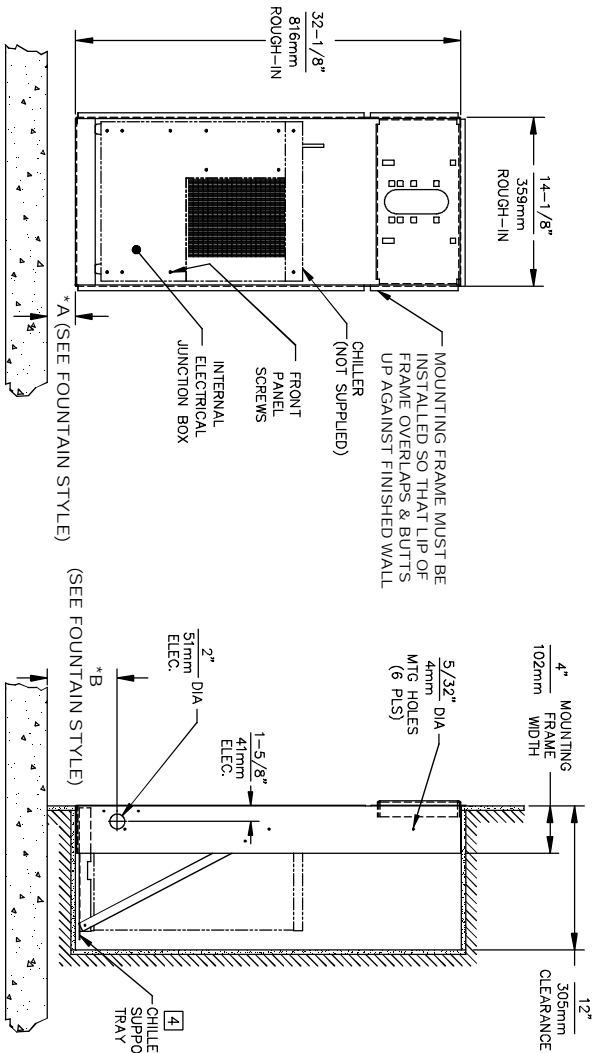


FIG. 6
WATER CONNECTION DIAGRAM

		1455 KLEPPE LANE SPARKS, NEVADA 89431 (775) 359-4712 FAX (775) 359-7424 E-MAIL: HAWS@HAWS.CO.COM WEBSITE: WWW.HAWS.CO.COM			
				ECN NO. 4997 DRAWN VWC APPROVED JL	REVISED PER ECN: 5401 DATE 01/25/16 DATE 02/05/19
SCALE: NA		DRAWING TYPE: INSTALLATION		SIZE: A	SHEET 2 OF 2



- CHILLER ELECTRICAL INSTALLATION**
1. ENSURE ELECTRICAL POWER IS OFF AND POWER MATCHES VOLTAGE, PHASE AND CYCLE LISTED ON CHILLER LABEL.
 2. REMOVE FRONT PANEL TO GAIN ACCESS TO INTERNAL JUNCTION BOX.
 3. HARDWIRE CHILLER THROUGH ITS SIDE WIRE IN ACCORDANCE WITH LOCAL, STATE OR FEDERAL ELECTRICAL CODES.
 4. REPLACE FRONT PANEL. DO NOT APPLY POWER UNTIL WATER SUPPLY IS CONNECTED AND ON.

MOUNTING FRAME INSTALLATION

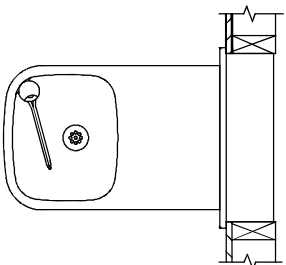
1. THIS FRAME IS USED WITH SEVERAL DIFFERENT MODELS. SEE INSTALLATION INSTRUCTIONS RECEIVED WITH THE FOUNTAIN FOR PROPER LOCATIONS OF 5/16-18 PANEL NUT RETAINERS. FOR ROUGH-IN USE THE APPROPRIATE DIMENSIONS SHOWN ABOVE. WASTE AND SUPPLY HEIGHTS ARE ALSO DETAILED ON THE FOUNTAIN INSTALLATION INSTRUCTIONS.
2. HOLD ROUGH-IN DIMENSIONS ±1/8" (3.2mm).
3. WHEN INSTALLING THIS UNIT LOCAL, STATE OR FEDERAL CODES SHOULD BE ADHERED TO. FOR DIFFERENT INSTALLATION HEIGHTS OTHER THAN SHOWN, DIMENSIONS MARKED (*) MUST BE ADJUSTED ACCORDINGLY.
4. ALIGN HOLES IN CHILLER SUPPORT TRAY WITH HOLES IN FRAME AND FASTEN IN PLACE WITH #10 SHEET-METAL SCREWS SUPPLIED WITH UNIT.
5. FOUNTAIN REMOVAL: FIRST REMOVE SCREWS AND THEN SQUEEZE CLIPS ON NUT RETAINER TO POP OUT. INSTALL IS REVERSE OF REMOVAL.

* IF YOUR FOUNTAIN IS THIS STYLE USE THESE DIMENSIONS

A	B
1-3/8" (35mm)	4-7/8" (124mm)

* IF YOUR FOUNTAIN IS THIS STYLE USE THESE DIMENSIONS

A	B
1-3/16" (30mm)	4-11/16" (119mm)



Haws Corporation

INFO FAX : 1-888-FAX-HAWS (1-888-329-4297)
 1455 Kleppe Ln, Sparks NV, 89431
 Phone: 775-359-4712 Fax: 775-359-7424
 Haws Ag Boehrweg 3 CH-3401 Burgdorf Switzerland
 Haws Mfg Pte Ltd 74 Sungai Kedut Loop Singapore 729531
 e-mail: Haws@hawsco.com website: www.hawsco.com

FORM NO. 06650A00

DATE: 08/97

SCALE: 1:16

MODEL(S): MTGFR, SM

REV: 14

DRAWING NUMBER: 0002080294

SIZE: A 1 OF 1