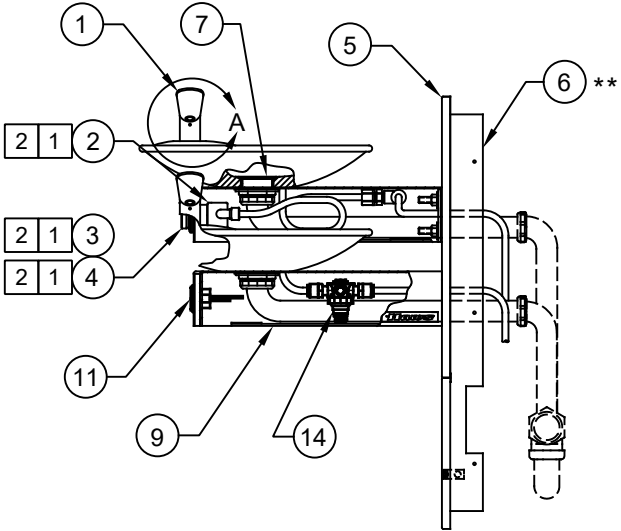
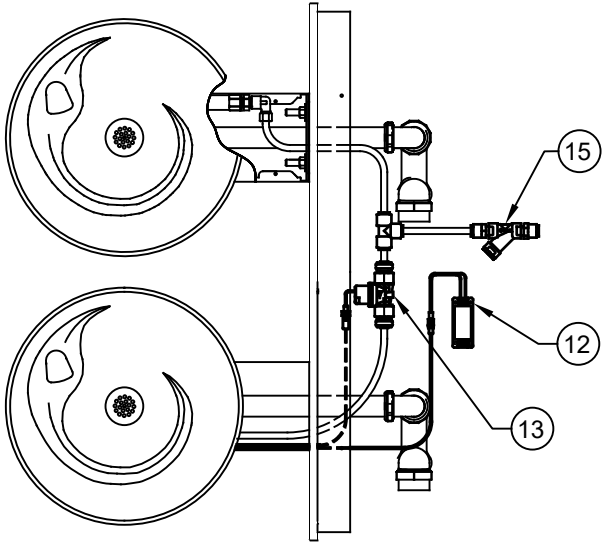


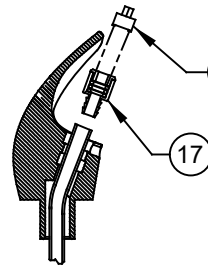
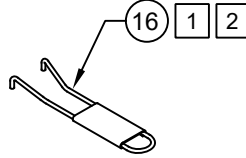
NOTES:

- [1] 5874PBF (ITEM 2) INCLUDES VRK5874 CARTRIDGE ASSEMBLY (ITEM 3), PBA6 FLANGED PUSH BUTTON (ITEM 4) AND SPANNER WRENCH (ITEM 16).
- [2] ITEMS 2, 3, 4 AND 16 ARE ONLY USED ON MODELS 1011HO AND 1011HPSHO.



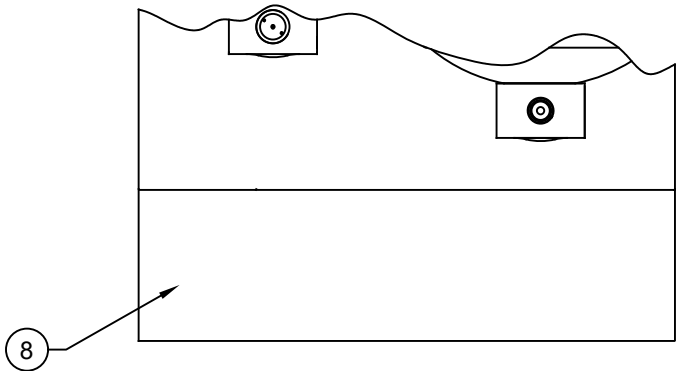
ITEM	DESCRIPTION	1011MSHO	1011MSHO2	
1	BUBBLER HEAD, PCP	5705	5705	
[2]	2	BUTTON, PUSH, PCP, FLANGED W/ VALVE	5874PBF	----
[2]	3	VALVE REPAIR KIT	VRK5874	----
[2]	4	BUTTON, PUSH, 5874, FLANGED	PBA6	----
	5	PANEL, BACK, F/ SATIN SWIRL	0004012000	0004012000
**	6	FRAME, MOUNTING	MTGFR.DF.2	MTGFR.DF.2
	7	STRAINER, WASTE ASSEMBLY, SCP OR PCP	6463	6463
	8	PANEL, ACCESS, DUAL #4	6608	6608
	9	PLATE, BOTTOM, F/1000	PBM1000	PBM1000
*	10	DRIVER, NOZZLE, .25 HEX	0002082253	0002082253
	11	SENSOR	VRKHO6	VRKHO6
	12	TRANSFORMER	VRKHO8	VRKHO8
	13	SOLENOID VALVE	VRKHO5	VRKHO5
	14	PRESSURE REGULATOR	5867	5867
	15	Y-STRAINER	6433	6433
[2]	16	SPANNER WRENCH	0006983506	----
	17	INSERT, LAMINAR FLOW, 5705	0002850230	0002850230

* DENOTES OPTIONAL PART.
 ** REQUIRED - SOLD SEPARATELY.



* 0002082253
 (OPTIONAL)
 FOR
 REMOVAL OF
 NOZZLE
 WITH TUBE

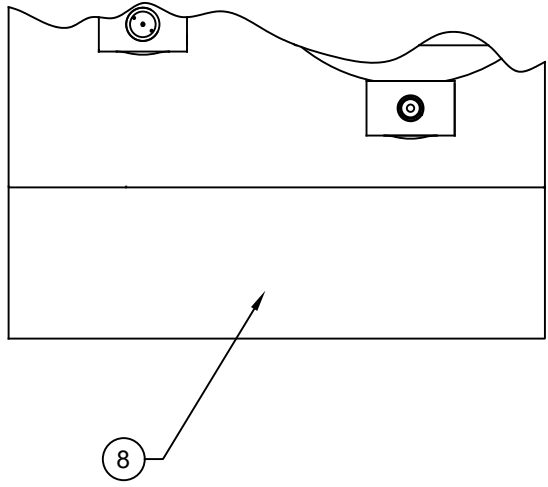
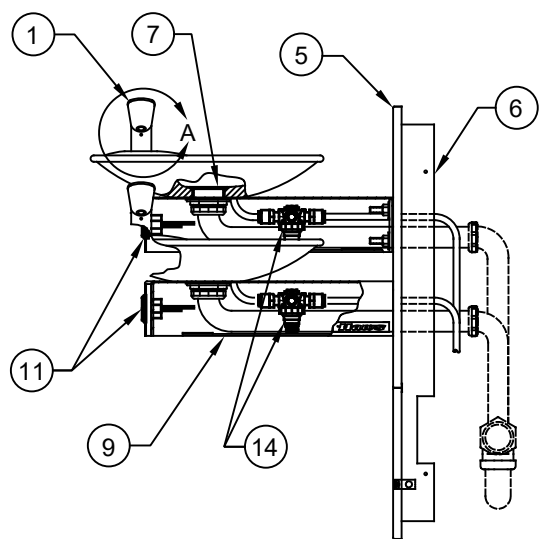
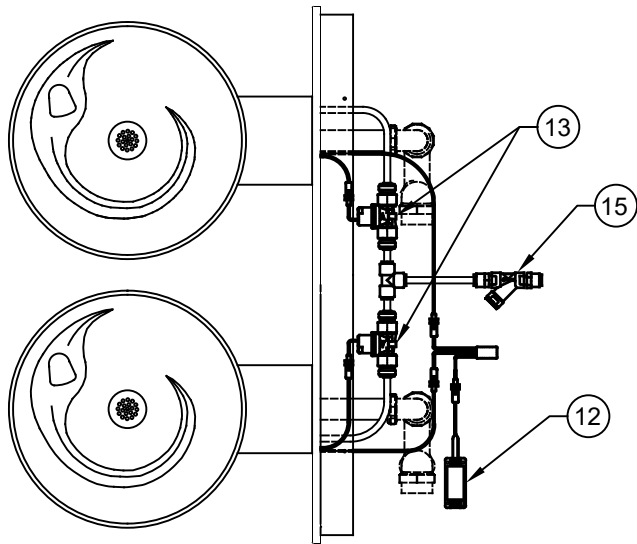
BUBBLER HEAD 5705
 (TUBING CONNECTS TO
 INSERT ASSY)
 DETAIL A
 ROTATED 90° INTO VIEW



1011MSHO SHOWN
 1011MSHO2 ON SHEET 2
PARTS BREAKDOWN

WHEN ORDERING PARTS PLEASE SPECIFY MODEL NUMBER.


		Haws [®]		1455 KLEPPE LANE SPARKS, NEVADA 89431 (775) 359-4712 FAX (775) 359-7424 E-MAIL: HAWS@HAWSCO.COM WEBSITE: WWW.HAWSCO.COM	
				ECN NO. 5701 DRAWN FV APPROVED FV	REVISED PER ECN: 5701 DATE 05/27/21 DATE 06/02/21
SCALE: 1:8		DRAWING TYPE: PARTS BREAKDOWN		SIZE: A SHEET 1 OF 2	



1011MSHO2 SHOWN
1011MSHO ON SHEET 1

PARTS BREAKDOWN

WHEN ORDERING PARTS PLEASE SPECIFY MODEL NUMBER.

		1455 KLEPPE LANE SPARKS, NEVADA 89431 (775) 359-4712 FAX (775) 359-7424 E-MAIL: HAWS@HAWSCO.COM WEBSITE: WWW.HAWSCO.COM			
		ECN NO. 5701 ECN: 5701 DRAWN FV DATE 05/30/21 APPROVED FV DATE 06/02/21	REVISED PER FV DATE CHKD DP	MODEL(S) 1011MSHO/1011MSHO2	PART NUMBER 0510001206 REVISION 1
		SCALE: 1:1	DRAWING TYPE: PARTS BREAKDOWN	SIZE: A	SHEET 2 OF 2