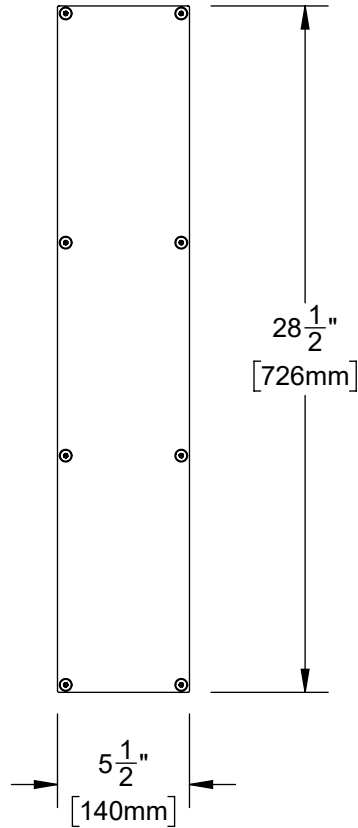
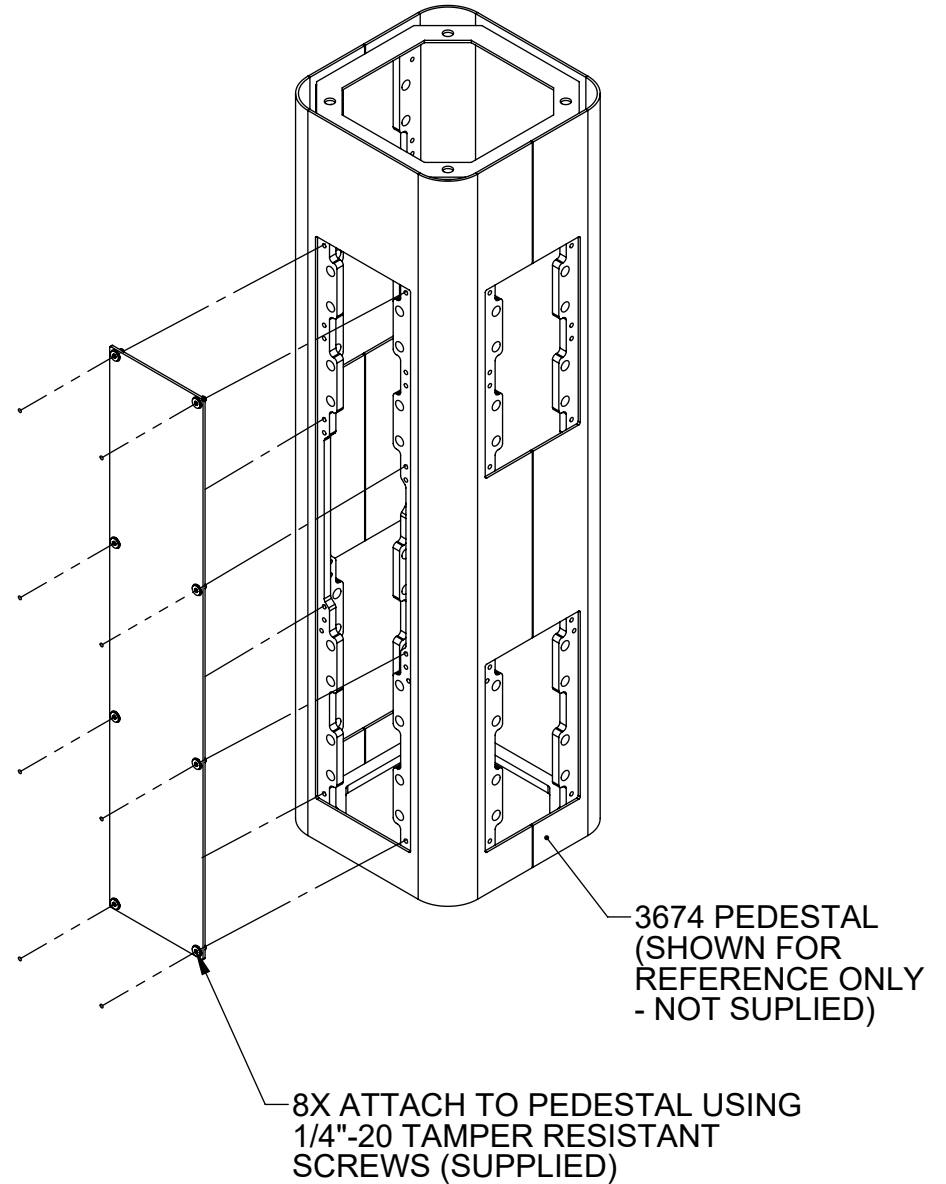




**1/4"-20 HEX STYLE TAMPER RESISTANT SCREW
DETAIL**



3650 FULL ACCESS COVER PLATE DETAIL



| | | | |
|------------|--|---|--|
| | | 1455 KLEPPE LANE SPARKS, NEVADA 89431 (775) 359-4712 FAX (775) 359-7424 E-MAIL: HAWS@HAWS.CO.COM WEBSITE: WWW.HAWS.CO.COM | |
| | | ECN: 5226 REV. ECN: 5707 DRAWN: MH APPROVED: FV | BY: FV DATE: 05/15/17 DATE: 11/04/21 |
| SCALE: 1:8 | | DRAWING TYPE: INSTALLATION | SHEET 1 OF 1 |